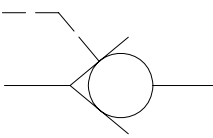
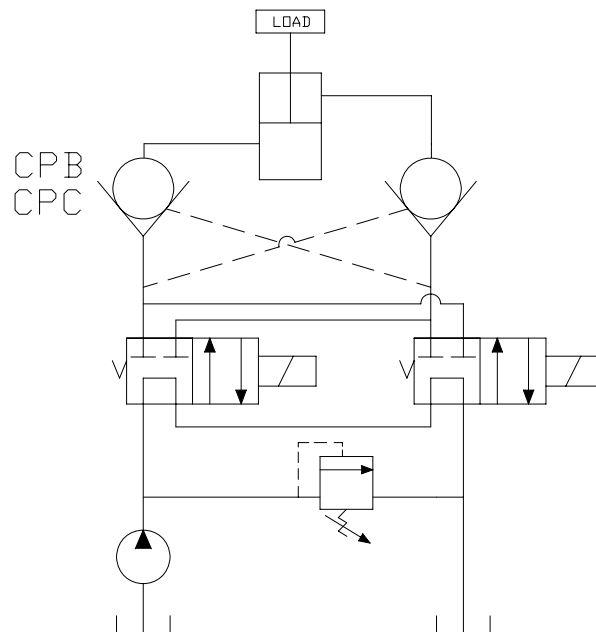


*Pilot to Open Check Valves*

	GPM	PSI	LPM	BAR	MODEL	PAGE
	6	3500	23	241	PP-CPB	
	8	3500	30	241	DF-CPB	
	10	3500	38	241	DF-CPC	

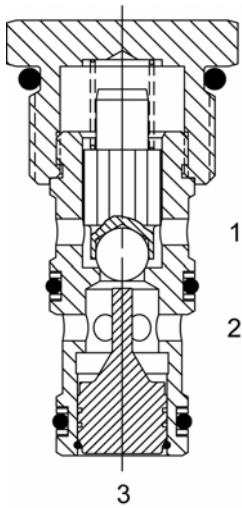
**Typical Schematic**

Typical application for the CPB and CPC is load holding as shown.



**WARNING:** The specifications/application data shown in our catalogs and data sheets are intended only as a general guide for the product described (herein). Any specific application should not be undertaken without independent study, evaluation, and testing for suitability.

**PP-CPB Pilot Operated Check Valve, Guided Ball**



**DESCRIPTION**

8 size, 3/4-16 thread, "Power" series, pilot operated, ball check valve.

**OPERATION**

The PP-CPB allows free flow to pass from (2) to (1) and blocks flow from (1) to (2). When pilot pressure is applied to port (3) the valve allows free flow from (1) to (2).

**FEATURES**

- Hardened parts for long life.
- Industry common cavity.

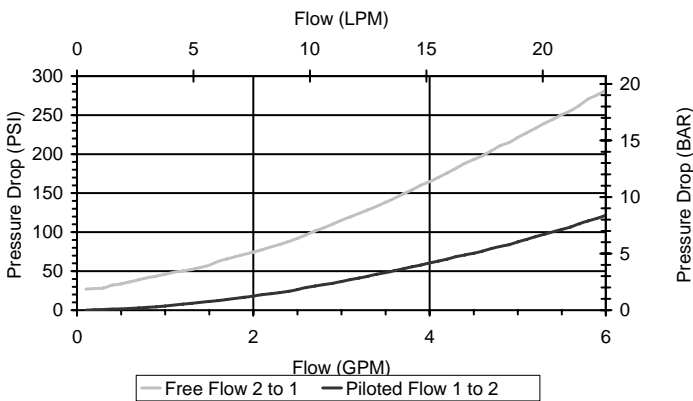
**HYDRAULIC SYMBOL**



For sealed pilot piston consult factory.

**PERFORMANCE**

Actual Test Data (Cartridge Only)

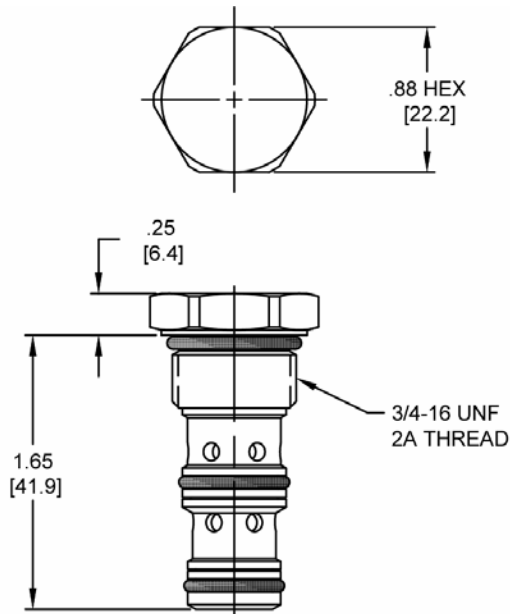


**VALVE SPECIFICATIONS**

Nominal Flow	6 GPM (23 LPM) 1 to 2 4 GPM (15 LPM) 2 to 1
Rated Operating Pressure	3500 PSI (241 bar)
Typical Internal Leakage (150 SSU)	0-5 drops/min
Pilot Ratio	4:1
Viscosity Range	36 to 3000 SSU (3 to 647 cSt)
Filtration	ISO 18/16/13
Media Operating Temperature Range	-40° to 250° F (-40° to 120° C)
Weight	.14 lbs. (.06 kg)
Operating Fluid Media	General Purpose Hydraulic Fluid
Cartridge Torque Requirements	25 ft-lbs (34 Nm)
Cavity	POWER 3W
Cavity Tools kit (form tool, reamer, tap)	40500024
Seal Kit	21191108

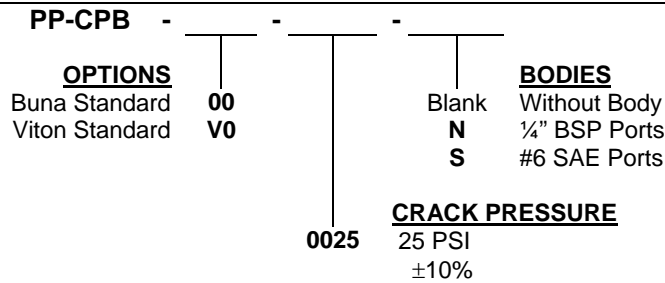
**WARNING:** The specifications/application data shown in our catalogs and data sheets is intended only as a general guide for the product described (herein). Any specific application should not be undertaken without independent study, evaluation, and testing for suitability.

**DIMENSIONS**



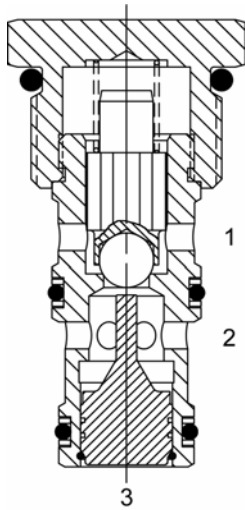
(for bodies style and sizes see section "Accessories")

**ORDERING INFORMATION**



**WARNING:** The specifications/application data shown in our catalogs and data sheets is intended only as a general guide for the product described (herein). Any specific application should not be undertaken without independent study, evaluation, and testing for suitability.

**DF-CPB Pilot Operated Check Valve, Guided Ball**



**DESCRIPTION**

10 size, 7/8-14 thread, "Delta" series, pilot operated, ball check valve.

**OPERATION**

The DF-CPB allows free flow to pass from (2) to (1) and blocks flow from (1) to (2). When pilot pressure is applied to port (3) the valve allows free flow from (1) to (2).

**FEATURES**

- Hardened parts for long life.
- Industry common cavity.

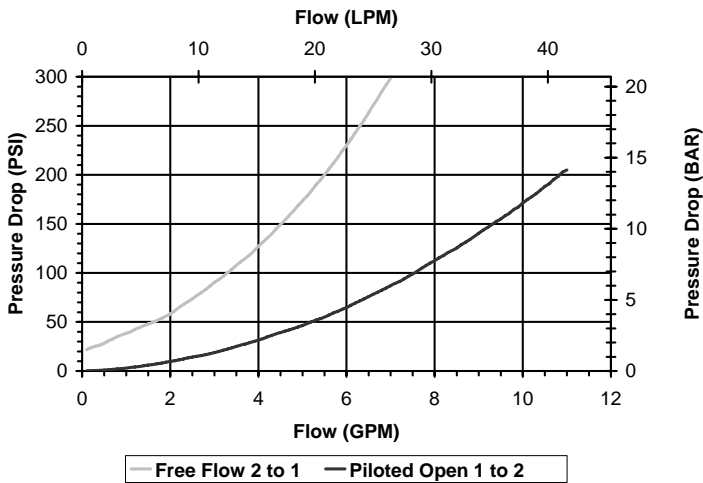
**HYDRAULIC SYMBOL**



For sealed pilot piston consult factory.

**PERFORMANCE**

Actual Test Data (Cartridge Only)

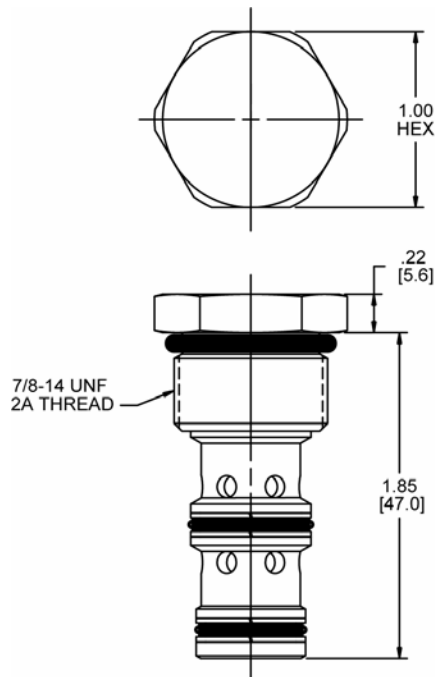


**VALVE SPECIFICATIONS**

Nominal Flow	8 GPM (30 LPM) 1 to 2 5 GPM (19 LPM) 2 to 1
Rated Operating Pressure	3500 PSI (240 bar)
Typical Internal Leakage (150 SSU)	0-5 drops/min
Pilot Ratio	4:1
Viscosity Range	36 to 3000 SSU (3 to 647 cSt)
Filtration	ISO 18/16/13
Media Operating Temperature Range	-40° to 250° F (-40° to 120° C)
Weight	.19 lbs. (.09 kg)
Operating Fluid Media	General Purpose Hydraulic Fluid
Cartridge Torque Requirements	30 ft-lbs (40.6Nm)
Cavity	DELTA 3W
Cavity Tools kit (form tool, reamer, tap)	40500001
Seal Kit	21191202

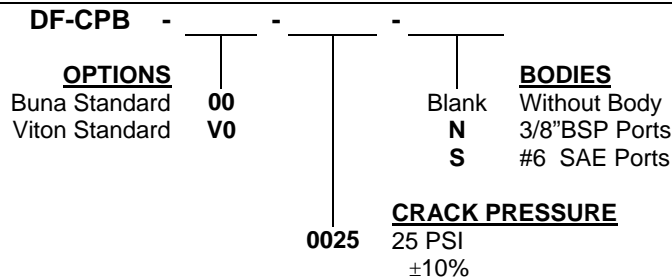
**WARNING:** The specifications/application data shown in our catalogs and data sheets is intended only as a general guide for the product described (herein). Any specific application should not be undertaken without independent study, evaluation, and testing for suitability.

**DIMENSIONS**



(for bodies style and sizes see section "Accessories")

**ORDERING INFORMATION**



**WARNING:** The specifications/application data shown in our catalogs and data sheets is intended only as a general guide for the product described (herein). Any specific application should not be undertaken without independent study, evaluation, and testing for suitability.

**DF-CPC Pilot To Open, Check Valve, Guided Ball**

**DESCRIPTION**

10 size, 7/8-14 thread, "Delta" series, pilot to open, ball check valve.

**OPERATION**

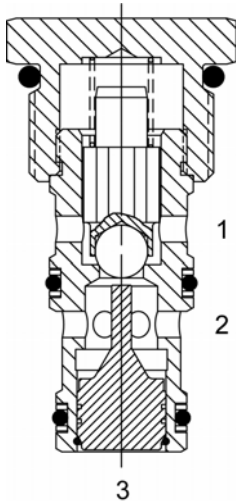
The DF-CPC allows free flow to pass from (2) to (1) and blocks flow from (1) to (2). When pilot pressure is applied to port (3) the valve allows free flow from (1) to (2).

The cartridge has a 2:1 pilot ratio, meaning that at least one half of the load pressure held at (1) is required at (3) to open the valve.

The check is spring biased to assure holding in static or no-load conditions.

**FEATURES**

- Hardened parts for long life.
- Industry common cavity.



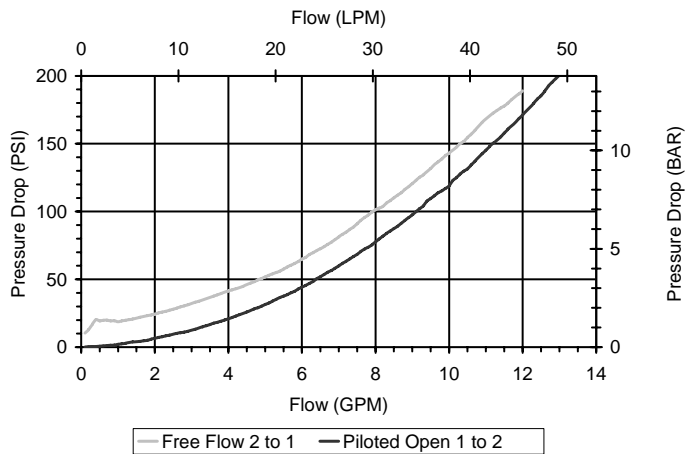
**HYDRAULIC SYMBOL**



Special higher bias spring values available. Consult factory.  
For sealed pilot piston consult factory.

**PERFORMANCE**

Actual Test Data (Cartridge Only)

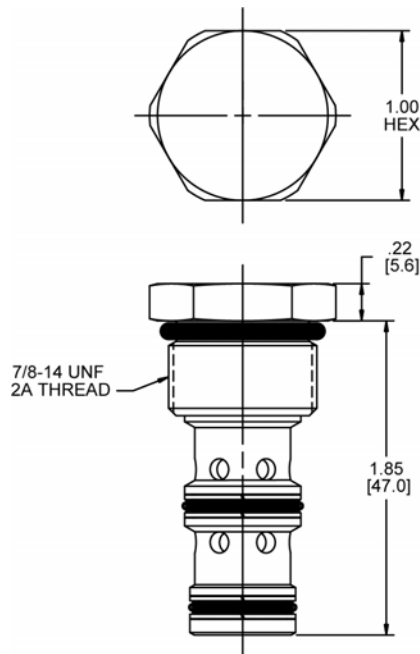


**VALVE SPECIFICATIONS**

Nominal Flow	10 GPM (38 LPM)
Rated Operating Pressure	3500 PSI (241 bar)
Typical Internal Leakage (150 SSU)	0-5 drops/min
Pilot Ratio	2:1
Viscosity Range	36 to 3000 SSU (3 to 647 cSt)
Filtration	ISO 18/16/13
Media Operating Temperature Range	-40° to 250° F (-40° to 120° C)
Weight	.19 lbs. (.08 kg)
Operating Fluid Media	General Purpose Hydraulic Fluid
Cartridge Torque Requirements	30 ft-lbs (40.6 Nm)
Cavity	DELTA 3W
Cavity Tools kit (form tool, reamer, tap)	40500001
Seal Kit	21191202

**WARNING:** The specifications/application data shown in our catalogs and data sheets is intended only as a general guide for the product described (herein). Any specific application should not be undertaken without independent study, evaluation, and testing for suitability.

**DIMENSIONS**



(for bodies style and sizes see section "Accessories")

**ORDERING INFORMATION**

<b>DF-CPC</b> -		-	-	-	
<b>OPTIONS</b>					<b>BODIES</b>
Buna Standard	<b>00</b>			blank	Without Body
Viton Standard	<b>V0</b>			<b>N</b>	¼" BSP Ports
				<b>S</b>	#6 SAE Ports
			<b>0025</b>		<b>CRACK PRESSURE</b>
					25 PSI
					±10%

**WARNING:** The specifications/application data shown in our catalogs and data sheets is intended only as a general guide for the product described (herein). Any specific application should not be undertaken without independent study, evaluation, and testing for suitability.