

MS Multi-function ergonomic symmetric grip

Features

- . Optimum ergonomic design
- . High performance switches

Mechanical Specifications

- . Material: Thermoplastic
- . Colour: Black
- . Operating temperature range: -25 °C / + 85°C
- . Connecting hub: Female thread / M14 x 1,5
- . Protection Class: IP65 with plain grip (IP 67 with special assembly on request)
IP54 with dead man trigger option

Electrical Specifications

- . Prewired exit cable: 250 mm

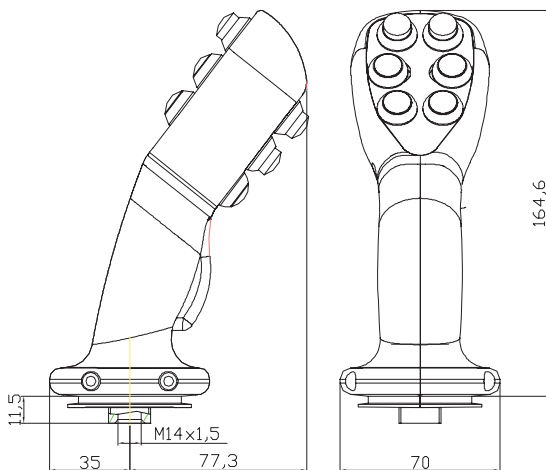
A - Dead man push button

- . Rated amperage: up to 3 A inductive
- . Protection Class (microswitch): IP67

P9 - Push buttons

- . Rated amperage: up to 5 A resistive
up to 3 A inductive
- . Operational life: > 100,000 cycles
- . Available colours: red, blue, yellow, black, green, white
- . Protection Class: IP64 (IP68 available)
- . Button and bezel material: thermoplastic
- . Contacts: gold plated silver alloy

Overall Dimensions



Mod. MS-A6P9-R3P9



Configuration Examples

	D-man P/B	Front P/B	Rear P/B
MS-0000-0000	0	0	
MS-A000-0000-0000	yes	0	
MS-A1P9-0000-0000	yes	1xP9	
MS-A2P9-0000-0000	yes	2xP9	
MS-A3P9-0000-0000	yes	3xP9	
MS-A4P9-0000-0000	yes	4xP9	
MS-A5P9-0000-0000	yes	5xP9	
MS-A6P9-0000-0000	yes	6xP9	
MS-A6P9-0000-R1P9	yes	6xP9	1xP9
MS-A6P9-0000-R2P9	yes	6xP9	2xP9
MS-A6P9-0000-R3P9	yes	6xP9	3xP9

Complete Ordering Information : See Page 36

WARNING: The specifications/application data shown in our catalogs and data sheets are intended only as a general guide for the product described (herein). Any specific application should not be undertaken without independent study, evaluation, and testing for suitability.

MS Multi-function ergonomic symmetric grip

Features

- . Optimum ergonomic design
- . High performance switches

Mechanical Specifications

- . Material: thermoplastic
- . Colour: black
- . Operating temperature range: -25 °C / + 85°C
- . Connecting hub: Female thread / M14 x 1,5
- . Protection class: IP65 with plain grip (IP 67 with special assembly on request)
IP54 with dead man trigger option

Electrical Specifications

- . Prewired exit cable: 250 mm

A - Dead man push button

- . Rated amperage: up to 3 A inductive
- . Protection Class (microswitch): IP67

P9 - Push buttons

- . Rated amperage: up to 5 A resistive
up to 3 A inductive
- . Operational life: > 100,000 cycles
- . Available colours: red, blue, yellow, black, green, white
- . Protection Class: IP64 (IP68 available)
- . Button and bezel material: thermoplastic
- . Contacts: gold plated silver alloy

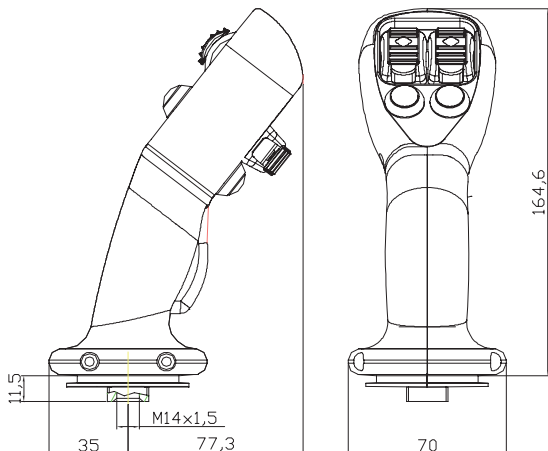
FPR Proportional Roller

- . Output signal: See FPR Data sheet
3-pins connection / Hall Effect contactless sensor

PRS Proportional Rocker Switch

- . Output signal: See PRS Data sheet
3-pins resistive pot
4-pins / Center tap

Overall Dimensions



Mod. MS-A2P9-2FPR-F1P9



Configuration Examples

	D-man P/B	Front P/B	Front FPR	Rear P/B	Rear FPR
MS-01P9-1FPR-0000	0	1xP9	1xFPR		
MS-A2P9-1FPR-0000	yes	2xP9	1xFPR		
MS-A3P9-1FPR-R1P9	yes	3xP9	1xFPR	1xP9	
MS-A4P9-1FPR-R2P9	yes	4xP9	1xFPR	2xP9	
MS-A4P9-1FPR-F1P9	yes	4xP9	1xFPR	1xP9	1xFPR
MS-A4P9-1FPR-F2P9	yes	4xP9	1xFPR	2xP9	1xFPR
MS-A2P9-2FPR-0000	yes	2xP9	2xFPR	0	
MS-A3P9-2FPR-R1P9	yes	3xP9	2xFPR	1xP9	
MS-A4P9-2FPR-R2P9	yes	4xP9	2xFPR	2xP9	
MS-A4P9-2FPR-F1P9	yes	4xP9	2xFPR	1xP9	1xFPR
MS-A4P9-2FPR-F2P9	yes	4xP9	2xFPR	2xP9	1xFPR
MS-A2P9-3FPR-0000	yes	2xP9	3xFPR	0	
MS-A2P9-3FPR-R1P9	yes	2xP9	3xFPR	1xP9	
MS-A2P9-3FPR-R2P9	yes	2xP9	3xFPR	2xP9	

Complete Ordering Information : See Page 36

WARNING: The specifications/application data shown in our catalogs and data sheets are intended only as a general guide for the product described (herein). Any specific application should not be undertaken without independent study, evaluation, and testing for suitability.

MS *Multi-function ergonomic symmetric grip*

Features

- . Optimum ergonomic design
- . Internal PWM driver

Mechanical Specifications

- . Material: thermoplastic
- . Colour: black
- . Operating temperature range: -25 °C / + 85°C
- . Connecting hub: Female thread / M14 x 1,5
- . Protection class: IP65 with plain grip (IP 67 with special assembly on request)
IP54 with dead man trigger option

Electrical Specifications

- . Prewired exit cable: 250 mm

A - Dead man push button

- . Rated amperage: up to 3 A inductive
- . Protection Class (microswitch): IP67

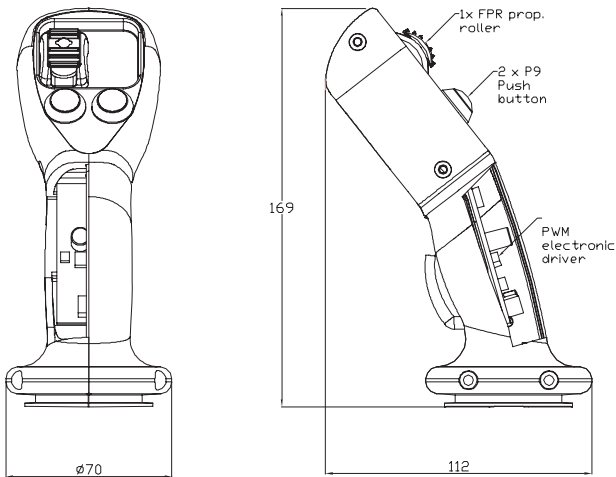
P9 - Push buttons

- . Rated amperage: up to 5 A resistive
up to 3 A inductive
- . Operational life: > 100,000 cycles
- . Available colours: red, blue, yellow, black, green, white
- . Protection Class: IP64 (IP68 available)
- . Button and bezel material: thermoplastic
- . Contacts: gold plated silver alloy

FPR Proportional Roller

- . Output signal: See FPR Data sheet
3-pins connection / Hall Effect contactless sensor

Overall Dimensions



Mod. MS-A2P9-1FPR-1PWM



PWM - Pulse Width Modulated output current driver for a dual coil proportional valve

- . Supply voltage: 8 - 32 Volt
- . Max. current draw: 100 mA
- . Current output range: Factory set btw 0 and 1500 mA
- . PWM diither frequency: 100 Hz
- . Operating temperature range: -25°C/+85°C

Configuration Examples

	D-man P/B	Front P/B	Front FPR
MS-01P9-1FPR-1PWM	0	1xP9	1xFPR
MS-A2P9-1FPR-1PWM	yes	2xP9	1xFPR
MS-A3P9-1FPR-1PWM	yes	3xP9	1xFPR
MS-A4P9-1FPR-1PWM	yes	4xP9	1xFPR

Complete Ordering Information : See Page 36

WARNING: The specifications/application data shown in our catalogs and data sheets are intended only as a general guide for the product described (herein). Any specific application should not be undertaken without independent study, evaluation, and testing for suitability.