

IE Multi-function ergonomic grip

Mechanical Specifications

- . Material: Thermoplastic
- . Colour: Black
- . Operating temperature range: -25 °C / + 85°C
- . Connecting hub: Female thread / M10 x 1,5
- . Protection Class: IP65 (plain grip)

Electrical Specifications

- . Prewired exit cable: 250 mm

Available push buttons and switches

P9 - Push buttons

- . No. of push buttons on rear panel: up to 3
- . Rated amperage: 3 Amp inductive
- . Life: > 100,000 cycles
- . Available colours: red, blue, yellow, black, green, white

A - Side Dead man push button

see above specifications for P9 push button

FPR Proportional Roller

- . Output signal: 3-pins connection / Hall Effect contactless sensor

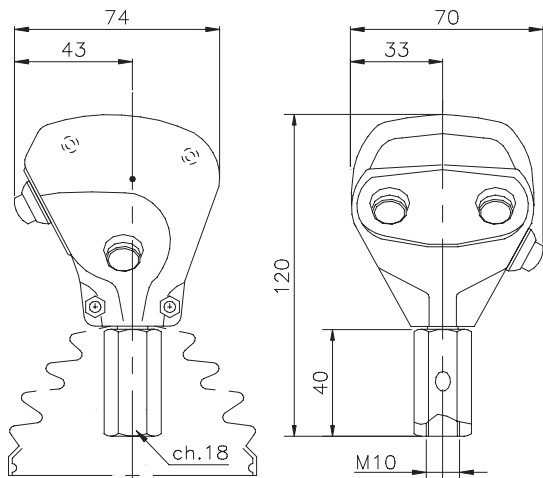
See FPR Data sheet

PRS Proportional Rocker Switch

- . Output signal: 3-pins resistive pot
4-pins with bidirectional switches

See PRS Data sheet

Overall Dimensions



Features

- . Multi-functions ergonomic grip Gear type with on/off and proportional switches
- . Easy adaptability to existing joystick control lever



Configuration examples

| | D-man P/B | Rear P/B | Rear PRS |
|---------------|-----------|----------|----------|
| IE-0000-0000 | 0 | 0 | 0 |
| IE-A000-0000 | yes | 0 | 0 |
| IE-A1P9-0000: | yes | 1xP9 | 0 |
| IE-A2P9-0000: | yes | 2xP9 | 0 |
| IE-A3P9-0000: | yes | 3xP9 | 0 |
| IE-0000-1PRS | 0 | 0 | 1xPRS |
| IE-A1P9-1PRS | yes | 1XP9 | 1xPRS |
| IE-0000-1FPR | 0 | 0 | 1xFPR |
| IE-A1P9-1FPR | yes | 1XP9 | 1xFPR |

Complete Ordering Information : See Page 35

WARNING: The specifications/application data shown in our catalogs and data sheets are intended only as a general guide for the product described (herein). Any specific application should not be undertaken without independent study, evaluation, and testing for suitability.