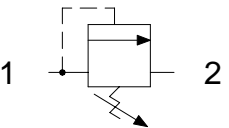
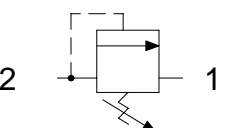


Direct Acting and Differential Area Relief Valves

Direct Acting Relief Valves

	GPM	PSI	LPM	BAR	MODEL	PAGE
	12	3500	45	241	DE-RCA	110
	5	3000	19	207	MA-RVA	112
	6	3500	23	241	PB-RVA	114
	8	4000	30	276	DE-RVA	116
	6	3500	23	241	PB-RWA	118
	8	4000	30	276	DE-RWA	120

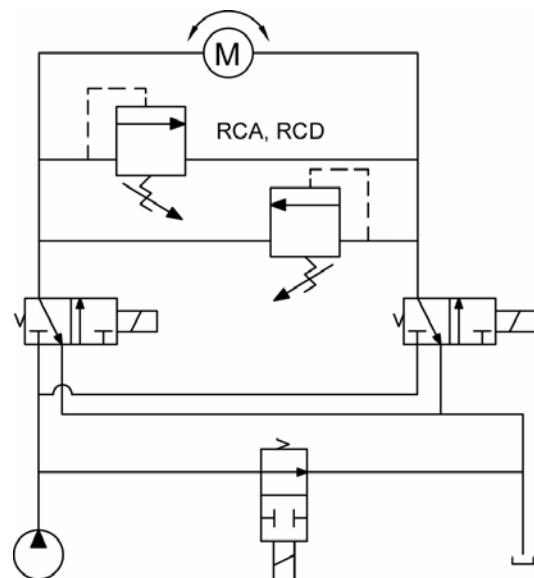
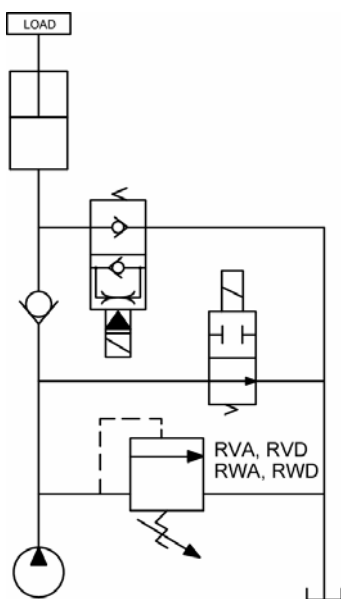
Differential Area Relief Valves

	GPM	PSI	LPM	BAR	MODEL	PAGE
	15	3500	57	241	DE-RCD	122
	8	3500	30	241	PB-RVD	124
	15	4000	57	276	DE-RVD	126
	8	3500	30	241	PB-RWD	128
	15	4000	57	276	DE-RWD	130

Typical Schematic

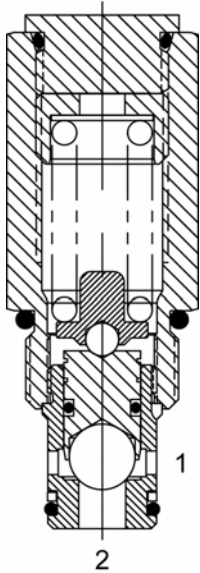
Typical application for the RVA, RVD, RWA, RWD is to protect pump and system.

Typical application for the RCA and RCD is cross over relief to protect motor in both directions, where lowest possible price is desired.



**WARNING:** The specifications/application data shown in our catalogs and data sheets are intended only as a general guide for the product described (herein). Any specific application should not be undertaken without independent study, evaluation, and testing for suitability.

**DE-RCA Guided Ball, Direct Acting Relief Valve**



**DESCRIPTION**

10 size, 7/8-14 thread, "Delta" series, direct acting relief valve.

**OPERATION**

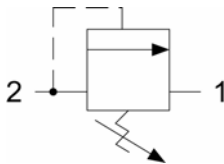
The DE-RCA blocks flow from (2) to (1) until sufficient pressure is present at (2) to force the poppet to open and allow metered flow from (2) to (1).

The cartridge offers smooth transition in response to load changes in common hydraulic circuits.

**FEATURES**

- Hardened parts for long life.
- Industry common cavity.

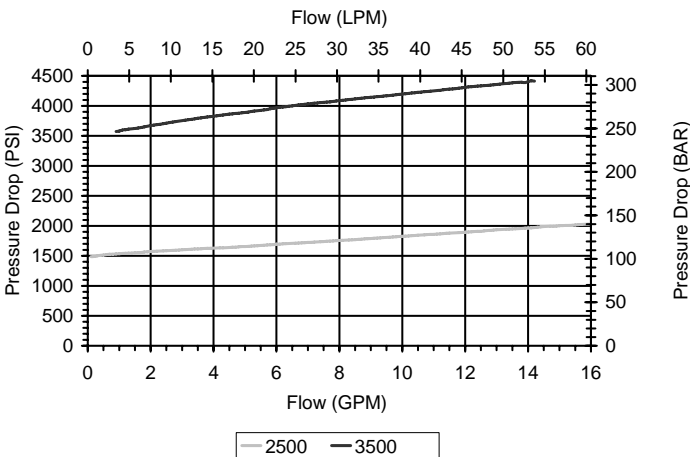
**HYDRAULIC SYMBOL**



Installation Space Saving Product.  
Cannot be field adjusted.

**PERFORMANCE**

Actual Test Data (Cartridge Only)

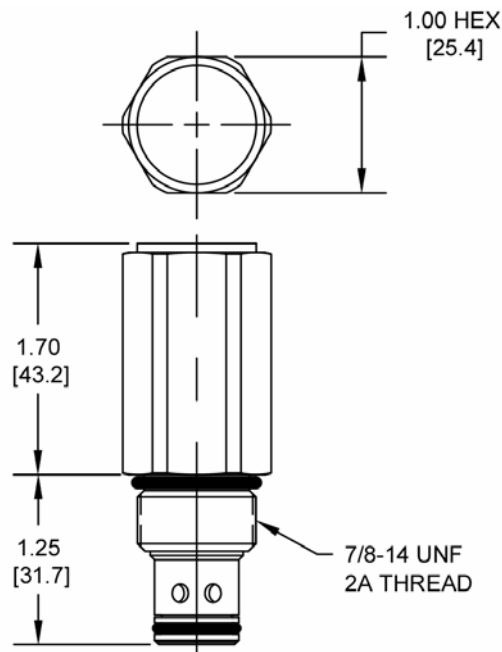


**VALVE SPECIFICATIONS**

Nominal Flow	12 GPM (45 LPM)
Rated Operating Pressure	3500 PSI (241 bar)
Viscosity Range	36 to 3000 SSU (3 to 647 cSt)
Filtration	ISO 18/16/13
Media Operating Temperature Range	-40° to 250° F (-40° to 120° C)
Weight	.38 lbs. (.17 kg)
Operating Fluid Media	General Purpose Hydraulic Fluid
Cartridge Torque Requirements	30 ft-lbs (40.6 Nm)
Cavity	DELTA 2W
Cavity Tools kit (form tool, reamer, tap)	40500000
Seal Kit	21191200

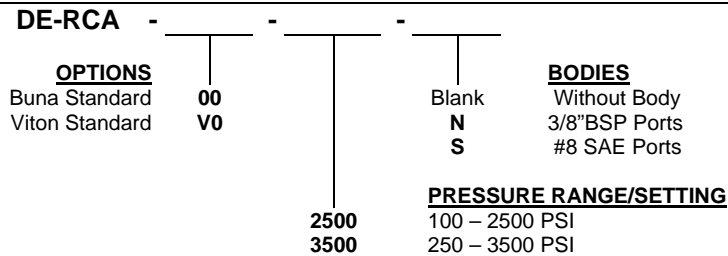
**WARNING:** The specifications/application data shown in our catalogs and data sheets is intended only as a general guide for the product described (herein). Any specific application should not be undertaken without independent study, evaluation, and testing for suitability.

**DIMENSIONS**



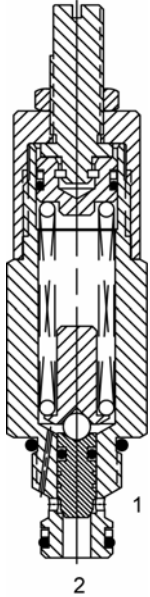
(for bodies style and sizes see section "Accessories")

**ORDERING INFORMATION**



**WARNING:** The specifications/application data shown in our catalogs and data sheets is intended only as a general guide for the product described (herein). Any specific application should not be undertaken without independent study, evaluation, and testing for suitability.

**MA-RVA Direct Acting Relief Valve**



**DESCRIPTION**

7 size, 5/8-18 thread, "Mini" series, direct acting relief valve.

**OPERATION**

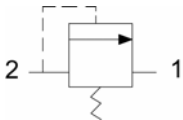
The MA-RVA blocks flow from (2) to (1) until sufficient pressure is present at (2) to force the poppet to open and allow metered flow from (2) to (1)

The cartridge offers smooth transition in response to load changes in common hydraulic circuits.

**FEATURES**

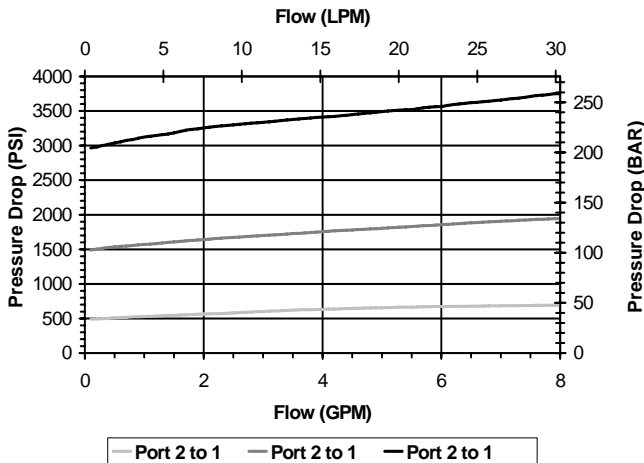
- Hardened parts for long life.
- Industry common cavity.

**HYDRAULIC SYMBOL**



**PERFORMANCE**

Actual Test Data (Cartridge Only)

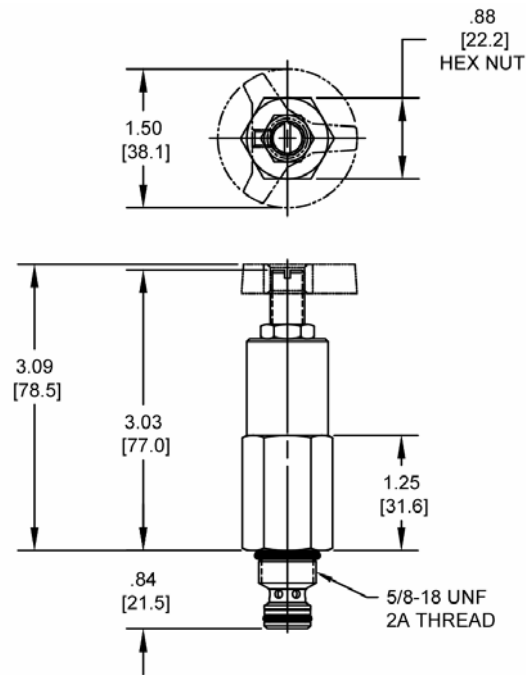


**VALVE SPECIFICATIONS**

Nominal Flow	5 GPM (19 LPM)
Rated Operating Pressure	3000 PSI (207 bar)
Viscosity Range	36 to 3000 SSU (3 to 647 cSt)
Filtration	ISO 18/16/13
Media Operating Temperature Range	-40° to 250° F (-40° to 120° C)
Weight	.39 lbs. (1.7kg)
Operating Fluid Media	General Purpose Hydraulic Fluid
Cartridge Torque Requirements	15 ft-lbs (20.3 Nm)
Cavity	MINI 2W
Cavity Tools kit (form tool, reamer, tap)	40500003
Seal Kit	21191000

**WARNING:** The specifications/application data shown in our catalogs and data sheets is intended only as a general guide for the product described (herein). Any specific application should not be undertaken without independent study, evaluation, and testing for suitability.

**DIMENSIONS**



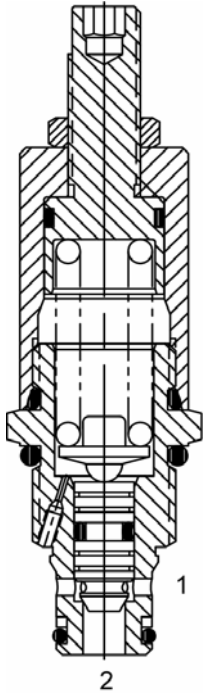
(for bodies style and sizes see section "Accessories")

**ORDERING INFORMATION**

<b>MA-RVA</b> - - -			
<b>OPTIONS</b>			<b>BODIES</b>
Buna Standard	<b>00</b>		Blank
Viton Standard	<b>V0</b>		<b>N</b> Without Body
Buna, Knob	<b>0K</b>		<b>S</b> 1/4" BSP Ports
Viton, Knob	<b>VK</b>		#6 SAE Ports
		<b>PRESSURE RANGE</b>	
		0500	100-500 PSI
		1500	500-1500 PSI
		3000	1500-3000 PSI

**WARNING:** The specifications/application data shown in our catalogs and data sheets is intended only as a general guide for the product described (herein). Any specific application should not be undertaken without independent study, evaluation, and testing for suitability.

**PB-RVA Direct Acting Relief Valve**



**DESCRIPTION**

8 size, 3/4-16 thread, "Power" series, direct acting relief valve.

**OPERATION**

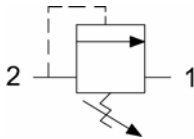
The PB-RVA blocks flow from (2) to (1) until sufficient pressure is present at (2) to force the poppet to open and allow metered flow from (2) to (1)

The cartridge offers smooth transition in response to load changes in common hydraulic circuits.

**FEATURES**

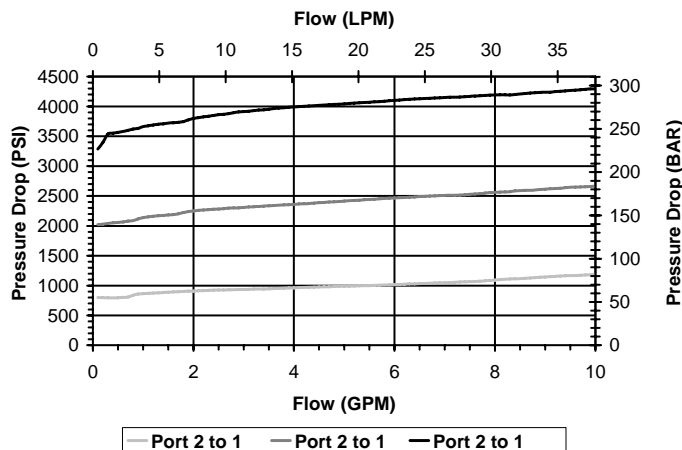
- Hardened parts for long life.
- Industry common cavity.

**HYDRAULIC SYMBOL**



**PERFORMANCE**

Actual Test Data (Cartridge Only)

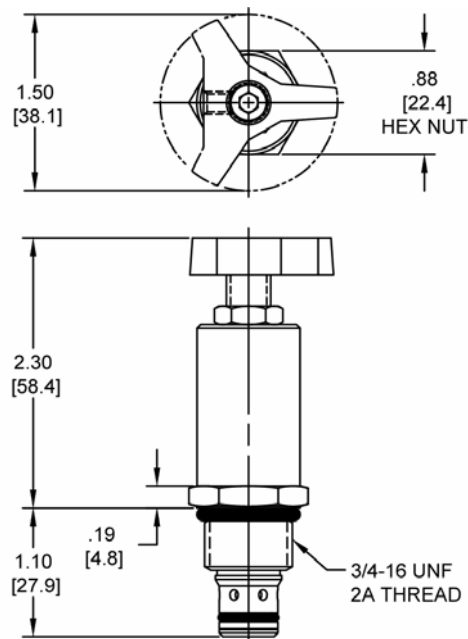


**VALVE SPECIFICATIONS**

Nominal Flow	6 GPM (23 LPM)
Rated Operating Pressure	3500 PSI (241 bar)
Viscosity Range	36 to 3000 SSU (3 to 647 cSt)
Filtration	ISO 18/16/13
Media Operating Temperature Range	-40° to 250° F (-40° to 120° C)
Weight	.30 lbs. (.14 kg)
Operating Fluid Media	General Purpose Hydraulic Fluid
Cartridge Torque Requirements	25 ft-lbs (34 Nm)
Cavity	POWER 2W
Cavity Tools kit (form tool, reamer, tap)	40500005
Seal Kit	21191100

**WARNING:** The specifications/application data shown in our catalogs and data sheets is intended only as a general guide for the product described (herein). Any specific application should not be undertaken without independent study, evaluation, and testing for suitability.

**DIMENSIONS**



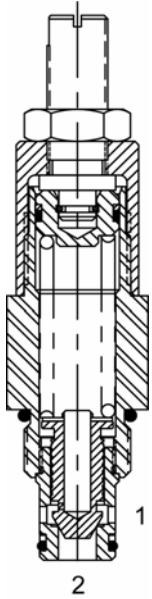
(for bodies style and sizes see section "Accessories")

**ORDERING INFORMATION**

<b>PB-RVA</b> -		-	-	-
<b>OPTIONS</b>				<b>BODIES</b>
Buna Standard	<b>00</b>			Blank
Viton Standard	<b>V0</b>			<b>N</b>
Buna, Knob	<b>0K</b>			<b>S</b>
Viton, Knob	<b>VK</b>			Without Body
				1/4" BSP Ports
				#6 SAE Ports
				<b>PRESSURE RANGE/SETTING</b>
		<b>0800</b>		0 - 800 PSI
		<b>2000</b>		800 - 2000 PSI
		<b>3500</b>		2000 - 3500 PSI

**WARNING:** The specifications/application data shown in our catalogs and data sheets is intended only as a general guide for the product described (herein). Any specific application should not be undertaken without independent study, evaluation, and testing for suitability.

**DE-RVA Direct Acting Relief Valve**



**DESCRIPTION**

10 size, 7/8-14 thread, "Delta" series, direct acting relief valve.

**OPERATION**

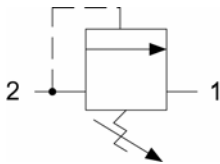
The DE-RVA blocks flow from (2) to (1) until sufficient pressure is present at (2) to force the poppet to open and allow metered flow from (2) to (1)

The cartridge offers smooth transition in response to load changes in common hydraulic circuits.

**FEATURES**

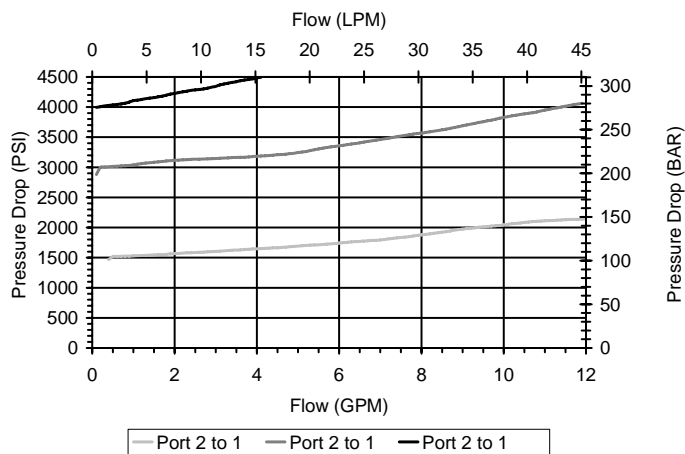
- Hardened parts for long life.
- Industry common cavity.

**HYDRAULIC SYMBOL**



**PERFORMANCE**

Actual Test Data (Cartridge Only)



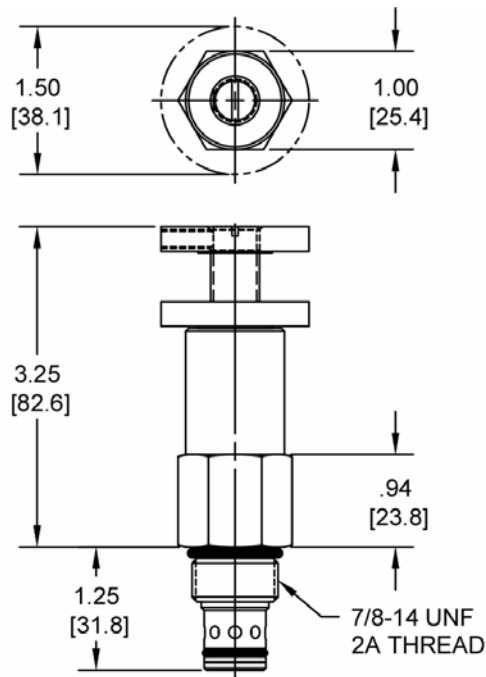
**VALVE SPECIFICATIONS**

Nominal Flow	4 GPM (15.6 LPM) 4000 PSI
	8 GPM (30 LPM) 3000 PSI
Rated Operating Pressure	4000 PSI (276 bar)
Viscosity Range	36 to 3000 SSU (3 to 647 cSt)
Filtration	ISO 18/16/13
Media Operating Temperature Range	-40° to 250° F (-40° to 120° C)
Weight	.56 lbs. (.25 kg)
Operating Fluid Media	General Purpose Hydraulic Fluid
Cartridge Torque Requirements	30 ft-lbs (40.6 Nm)
Cavity	DELTA 2W
Cavity Tools kit (form tool, reamer, tap)	40500000
Seal Kit	21191200

**WARNING:** The specifications/application data shown in our catalogs and data sheets is intended only as a general guide for the product described (herein). Any specific application should not be undertaken without independent study, evaluation, and testing for suitability.



**DIMENSIONS**



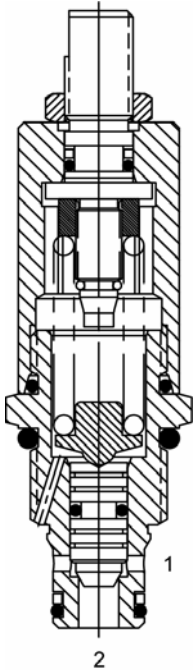
(for bodies style and sizes see section "Accessories")

**ORDERING INFORMATION**

<b>DE-RVA</b> - - - - -			
<b>OPTIONS</b>			<b>BODIES</b>
Buna Standard	<b>00</b>	Blank	Without Body
Viton Standard	<b>V0</b>	<b>N</b>	3/8" BSP Ports
Buna, Knob	<b>OK</b>	<b>S</b>	#8 SAE Ports
Viton, Knob	<b>VK</b>		
		<b>PRESSURE RANGE/SETTING</b>	
		<b>1500</b>	200 – 1500 PSI
		<b>3000</b>	1500 – 3000 PSI
		<b>4000</b>	2500 – 4000 PSI

**WARNING:** The specifications/application data shown in our catalogs and data sheets is intended only as a general guide for the product described (herein). Any specific application should not be undertaken without independent study, evaluation, and testing for suitability.

**PB-RWA Direct Acting Relief Valve**



**DESCRIPTION**

8 size, 3/4-16 thread, "Power" series, direct acting relief valve.

**OPERATION**

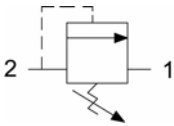
The PB-RWA blocks flow from (2) to (1) until sufficient pressure is present at (2) to force the poppet to open and allow metered flow from (2) to (1)

The cartridge offers smooth transition in response to load changes in common hydraulic circuits.

**FEATURES**

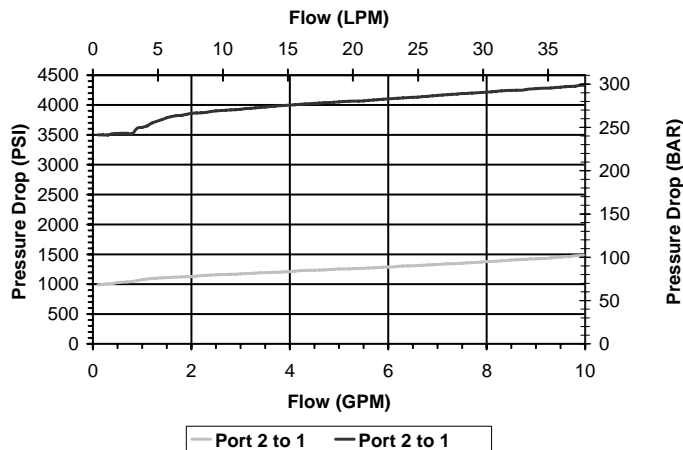
- Hardened parts for long life.
- Industry common cavity.

**HYDRAULIC SYMBOL**



**PERFORMANCE**

Actual Test Data (Cartridge Only)

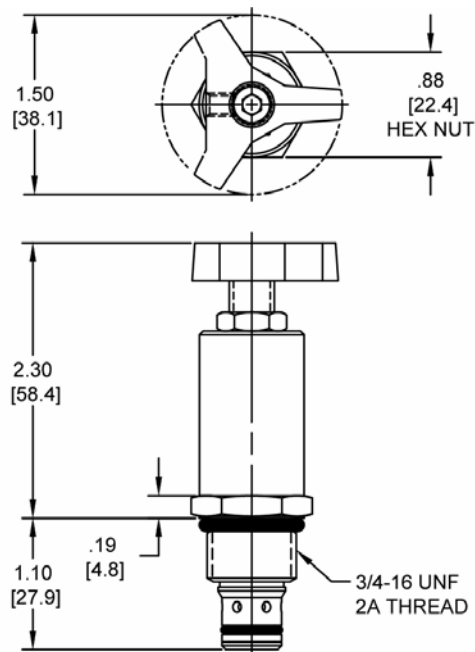


**VALVE SPECIFICATIONS**

Nominal Flow	6 GPM (23 LPM)
Rated Operating Pressure	3500 PSI (241 bar)
Viscosity Range	36 to 3000 SSU (3 to 647 cSt)
Filtration	ISO 18/16/13
Media Operating Temperature Range	-40° to 250° F (-40° to 120° C)
Weight	.31 lbs. (.14 kg)
Operating Fluid Media	General Purpose Hydraulic Fluid
Cartridge Torque Requirements	25 ft-lbs (34 Nm)
Cavity	POWER 2W
Cavity Tools kit (form tool, reamer, tap)	40500005
Seal Kit	21191100

**WARNING:** The specifications/application data shown in our catalogs and data sheets is intended only as a general guide for the product described (herein). Any specific application should not be undertaken without independent study, evaluation, and testing for suitability.

**DIMENSIONS**



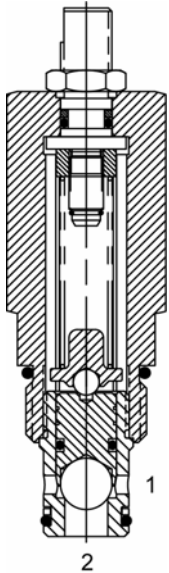
(for bodies style and sizes see section "Accessories")

**ORDERING INFORMATION**

<b>PB-RWA</b> - - - -			
<b>OPTIONS</b>			<b>BODIES</b>
External Adj. W/Locknut Buna	<b>00</b>		Blank
External Adj. W/Locknut Viton	<b>V0</b>		<b>N</b>
Buna, Knob	<b>0K</b>		<b>S</b>
Viton, Knob	<b>VK</b>		
Internal Adj. Buna	<b>0I</b>		
Internal Adj. Viton	<b>VI</b>		
Tamper Proof Buna	<b>0T</b>		
Tamper Proof Viton	<b>VT</b>		
		<b>1000</b>	
		<b>3500</b>	
			<b>PRESSURE RANGE/SETTING</b>
			<b>Ext./Int. Adjustable</b>
			100 - 1000 PSI
			500 - 3500 PSI
			<b>Tamper Proof</b>
			Fill in 4 Digit Pressure Setting
			Example: 0500 - 500 PSI

**WARNING:** The specifications/application data shown in our catalogs and data sheets is intended only as a general guide for the product described (herein). Any specific application should not be undertaken without independent study, evaluation, and testing for suitability.

**DE-RWA Direct Acting Relief Valve**



**DESCRIPTION**

10 size, 7/8-14 thread, "Delta" series, direct acting relief valve

**OPERATION**

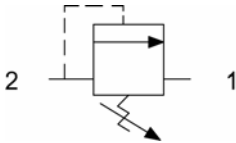
The DE-RWA blocks flow from (2) to (1) until sufficient pressure is present at (2) to force the poppet to open and allow metered flow from (2) to (1).

The cartridge offers smooth transition in response to load changes in common hydraulic circuits.

**FEATURES**

- Hardened parts for long life.
- Industry common cavity.

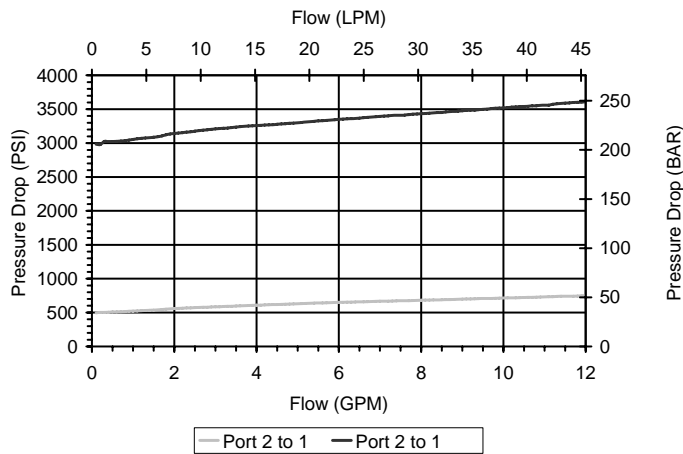
**HYDRAULIC SYMBOL**



For critical leakage applications consult factory.

**PERFORMANCE**

Actual Test Data (Cartridge Only)

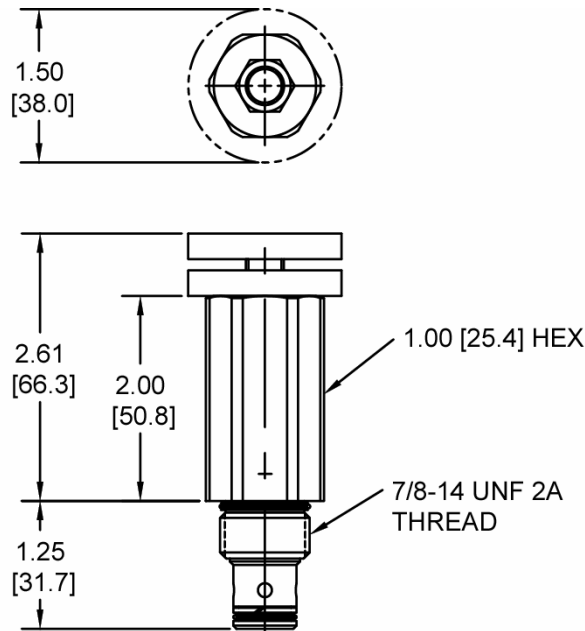


**VALVE SPECIFICATIONS**

Nominal Flow	8 GPM (30 LPM)
Rated Operating Pressure	4000 PSI (276 bar)
Viscosity Range	36 to 3000 SSU (3 to 647 cSt)
Filtration	ISO 18/16/13
Media Operating Temperature Range	-40° to 250° F (-40° to 120° C)
Weight	.51 lbs. (.23 kg)
Operating Fluid Media	General Purpose Hydraulic Fluid
Cartridge Torque Requirements	30 ft-lbs (40.6 Nm)
Cavity	DELTA 2W
Cavity Tools kit (form tool, reamer, tap)	40500000
Seal Kit	21191200

**WARNING:** The specifications/application data shown in our catalogs and data sheets is intended only as a general guide for the product described (herein). Any specific application should not be undertaken without independent study, evaluation, and testing for suitability.

**DIMENSIONS**



(for bodies style and sizes see section "Accessories")

**ORDERING INFORMATION**

<b>DE-RWA</b> - - -		
<b>OPTIONS</b>		<b>BODIES</b>
External Adj. W/Locknut, Buna	<b>00</b>	Blank
External Adj. W/Locknut, Viton	<b>V0</b>	<b>N</b> 3/8" BSP Ports
Buna, Knob	<b>0K</b>	<b>S</b> #8 SAE Ports
Viton, Knob	<b>VK</b>	
Internally Adj. Buna	<b>0I</b>	
Internally Adj. Viton	<b>VI</b>	
Tamper Proof, Buna	<b>0T</b>	
Tamper Proof, Viton	<b>VT</b>	
	<b>0500</b>	<b>PRESSURE RANGE/SETTING</b>
	<b>3000</b>	<b>Ext./Int. Adjustment</b>
	<b>5000</b>	100 – 500 PSI
		100 – 3000 PSI
		3000 – 5000 PSI
		<b>Tamper Proof</b>
		Fill In 4 Digit Pressure Setting
		Example: 0500 – 500 PSI

**WARNING:** The specifications/application data shown in our catalogs and data sheets is intended only as a general guide for the product described (herein). Any specific application should not be undertaken without independent study, evaluation, and testing for suitability.

**DE-RCD Differential Area Relief Valve**

**DESCRIPTION**

10 size, 7/8-14 thread, "Delta" series, differential area relief valve

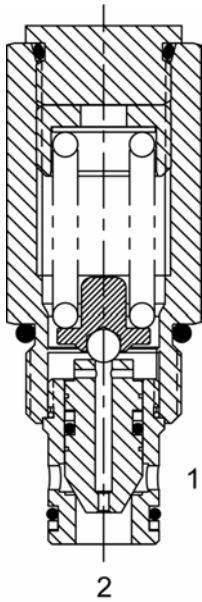
**OPERATION**

The DE-RCD blocks flow from (1) to (2) until sufficient pressure is present at (1) to force the poppet to open and allow metered flow from (1) to (2).

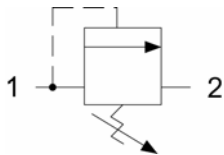
The cartridge offers smooth transition in response to load changes in common hydraulic circuits.

**FEATURES**

- Hardened parts for long life.
- Industry common cavity.



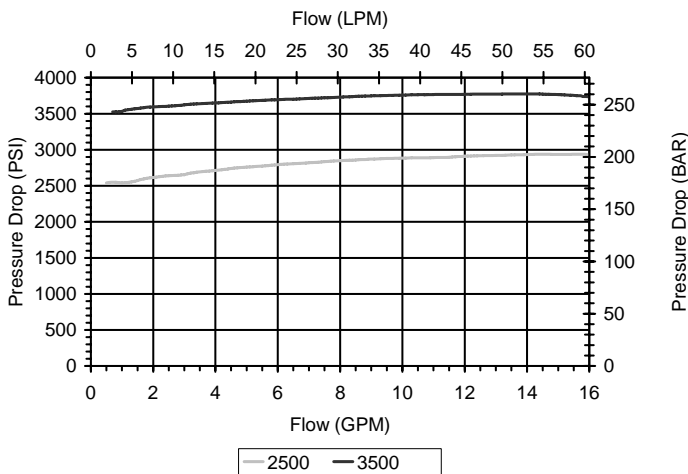
**HYDRAULIC SYMBOL**



Installation Space Saving Product.  
Cannot be field adjusted.

**PERFORMANCE**

Actual Test Data (Cartridge Only)

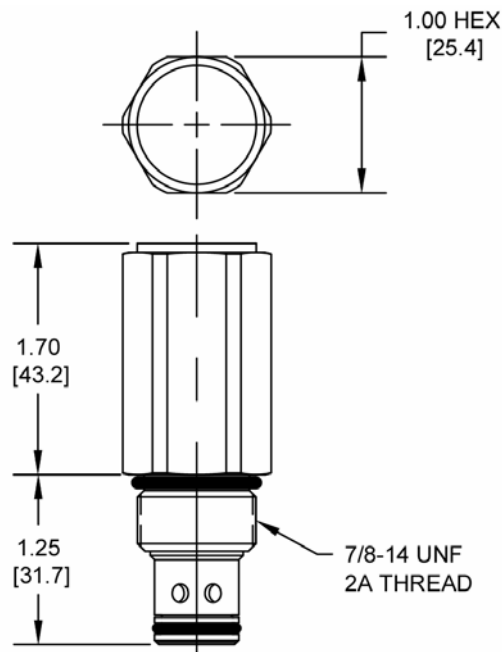


**VALVE SPECIFICATIONS**

Nominal Flow	15 GPM (57 LPM)
Rated Operating Pressure	3500 PSI (241 bar)
Viscosity Range	36 to 3000 SSU (3 to 647 cSt)
Filtration	ISO 18/16/13
Media Operating Temperature Range	-40° to 250° F (-40° to 120° C)
Weight	.37 lbs. (.17 kg)
Operating Fluid Media	General Purpose Hydraulic Fluid
Cartridge Torque Requirements	30 ft-lbs (40.6 Nm)
Cavity	DELTA 2W
Cavity Tools kit (form tool, reamer, tap)	40500000
Seal Kit	21191200

**WARNING:** The specifications/application data shown in our catalogs and data sheets is intended only as a general guide for the product described (herein). Any specific application should not be undertaken without independent study, evaluation, and testing for suitability.

**DIMENSIONS**



(for bodies style and sizes see section "Accessories")

**ORDERING INFORMATION**

<b>DE-RCD</b>		-	-	-	-
<b>OPTIONS</b>					<b>BODIES</b>
Buna Standard	<b>00</b>				Without Body
Viton Standard	<b>V0</b>				3/8" BSP Ports
					#8 SAE Ports
					<b>PRESSURE RANGE/SETTING</b>
				<b>2500</b>	100 – 2500 PSI
				<b>3500</b>	250 – 3500 PSI

**WARNING:** The specifications/application data shown in our catalogs and data sheets is intended only as a general guide for the product described (herein). Any specific application should not be undertaken without independent study, evaluation, and testing for suitability.

**PB-RVD Differential Area Relief Valve**

**DESCRIPTION**

8 size, 3/4-16 thread, "Power" series, differential area relief valve.

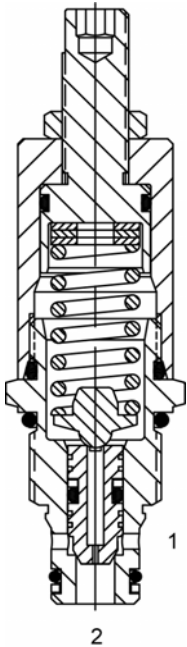
**OPERATION**

The PB-RVD blocks flow from (1) to (2) until sufficient pressure is present at (1) to force the poppet to open and allow metered flow from (1) to (2).

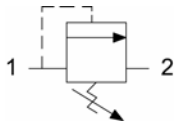
The cartridge offers smooth transition in response to load changes in common hydraulic circuits.

**FEATURES**

- Hardened parts for long life.
- Industry common cavity.

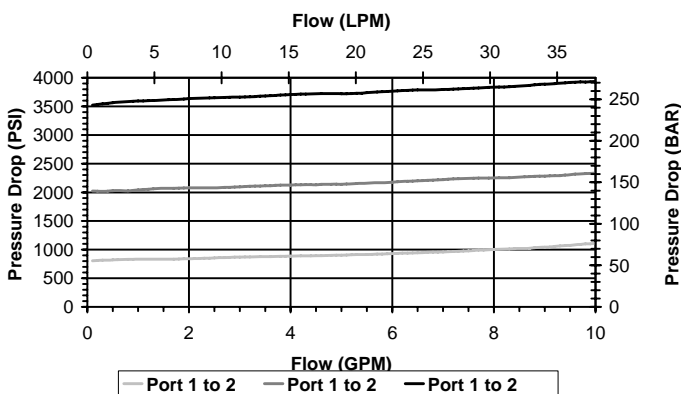


**HYDRAULIC SYMBOL**



**PERFORMANCE**

Actual Test Data (Cartridge Only)



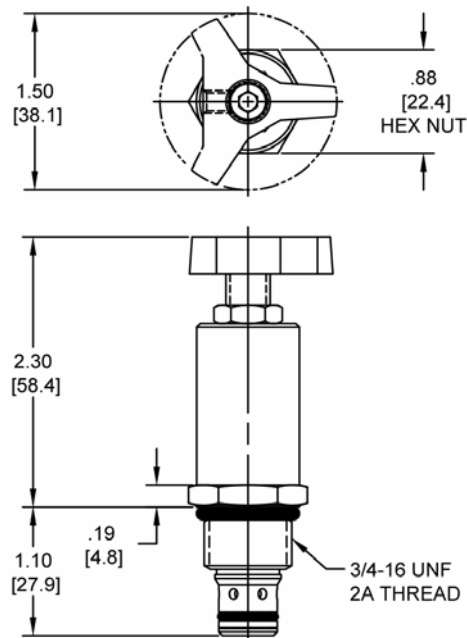
**VALVE SPECIFICATIONS**

Nominal Flow	8 GPM (30 LPM)
Rated Operating Pressure	3500 PSI (241 bar)
Viscosity Range	36 to 3000 SSU (3 to 647 cSt)
Filtration	ISO 18/16/13
Media Operating Temperature Range	-40° to 250° F (-40° to 120° C)
Weight	.31 lbs. (.14 kg)
Operating Fluid Media	General Purpose Hydraulic Fluid
Cartridge Torque Requirements	25 ft-lbs (34 Nm)
Cavity	POWER 2W
Cavity Tools kit (form tool, reamer, tap)	40500005
Seal Kit	21191100

**WARNING:** The specifications/application data shown in our catalogs and data sheets is intended only as a general guide for the product described (herein). Any specific application should not be undertaken without independent study, evaluation, and testing for suitability.



**DIMENSIONS**



(for bodies style and sizes see section "Accessories")

**ORDERING INFORMATION**

<b>PB-RVD</b> -		-	-	-
<b>OPTIONS</b>				<b>BODIES</b>
Buna Standard	<b>00</b>			Blank
Viton Standard	<b>V0</b>			Without Body
Buna, Knob	<b>0K</b>			<b>N</b> 1/4" BSP Ports
Viton, Knob	<b>VK</b>			<b>S</b> #6 SAE Ports
				<b>PRESSURE RANGE/SETTING</b>
		<b>0800</b>		0 - 800 PSI
		<b>2000</b>		800 - 2000 PSI
		<b>3500</b>		2000 - 3500 PSI

**WARNING:** The specifications/application data shown in our catalogs and data sheets is intended only as a general guide for the product described (herein). Any specific application should not be undertaken without independent study, evaluation, and testing for suitability.

**DE-RVD Differential Area Relief Valve**

**DESCRIPTION**

10 size, 7/8-14 thread, "Delta" series, differential area relief valve

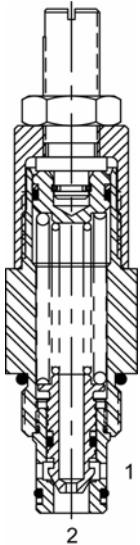
**OPERATION**

The DE-RVD blocks flow from (1) to (2) until sufficient pressure is present at (1) to force the poppet to open and allow metered flow from (1) to (2).

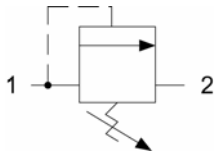
The cartridge offers smooth transition in response to load changes in common hydraulic circuits.

**FEATURES**

- Hardened parts for long life.
- Industry common cavity.



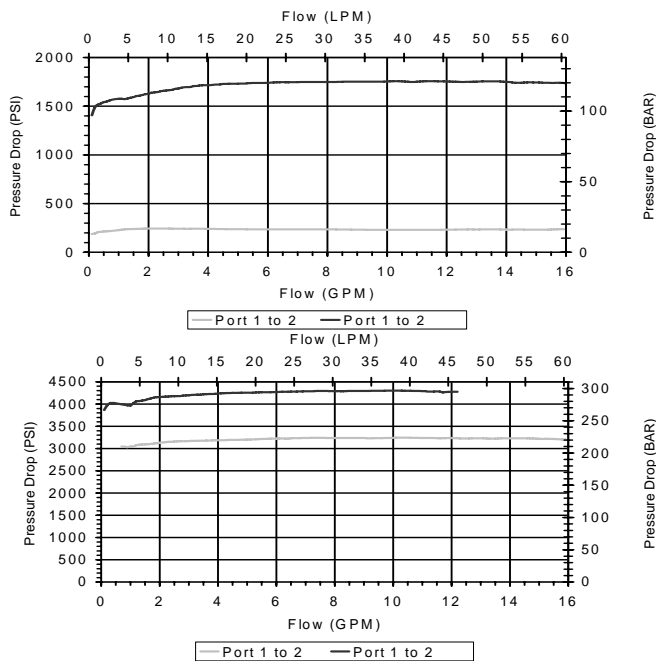
**HYDRAULIC SYMBOL**



Low PSI/turn adjustment.  
Good pressure vs. flow characteristic.

**PERFORMANCE**

Actual Test Data (Cartridge Only)

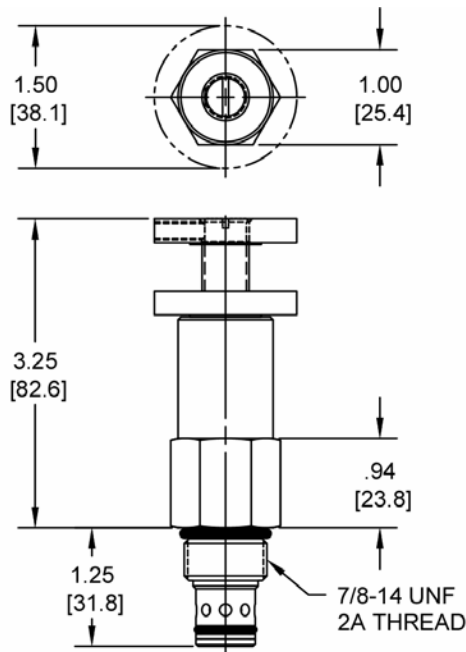


**VALVE SPECIFICATIONS**

Nominal Flow	15 GPM (57 LPM)
Rated Operating Pressure	4000 PSI (276 bar)
Viscosity Range	36 to 3000 SSU (3 to 647 cSt)
Filtration	ISO 18/16/13
Media Operating Temperature Range	-40° to 250° F (-40° to 120° C)
Weight	.57 lbs. (.26 kg)
Operating Fluid Media	General Purpose Hydraulic Fluid
Cartridge Torque Requirements	30 ft-lbs (40.6 Nm)
Cavity	DELTA 2W
Cavity Tools kit (form tool, reamer, tap)	40500000
Seal Kit	21191200

**WARNING:** The specifications/application data shown in our catalogs and data sheets is intended only as a general guide for the product described (herein). Any specific application should not be undertaken without independent study, evaluation, and testing for suitability.

**DIMENSIONS**



(for bodies style and sizes see section "Accessories")

**ORDERING INFORMATION**

<b>DE-RVD</b>		-	-	-	-
<b>OPTIONS</b>					<b>BODIES</b>
Buna Standard	<b>00</b>				Blank
Viton Standard	<b>V0</b>				<b>N</b> Without Body
Buna, Screen	<b>A0</b>				<b>S</b> 3/8" BSP Ports
Viton, Screen	<b>W0</b>				#8 SAE Ports
Buna, Knob	<b>0K</b>				
Viton, Knob	<b>VK</b>				
Buna, Knob, Screen	<b>AK</b>				
Viton, Knob, Screen	<b>WK</b>				
					<b>PRESSURE RANGE/SETTING</b>
			<b>0200</b>		50 – 200 PSI
			<b>1500</b>		200 – 1500 PSI
			<b>3000</b>		1500 – 3000 PSI
			<b>4000</b>		2500 – 4000 PSI

**Note: Use screen only if flow direction is from (1) to (2).**

**WARNING:** The specifications/application data shown in our catalogs and data sheets is intended only as a general guide for the product described (herein). Any specific application should not be undertaken without independent study, evaluation, and testing for suitability.

**PB-RWD Differential Area Relief Valve**

**DESCRIPTION**

8 size, 3/4-16 thread, "Power" series, differential area relief valve.

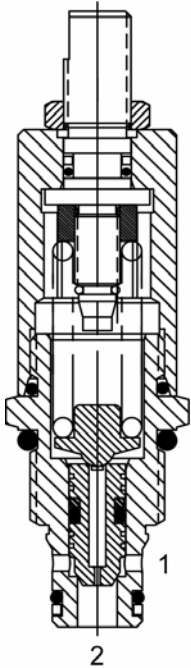
**OPERATION**

The PB-RWD blocks flow from (1) to (2) until sufficient pressure is present at (1) to force the poppet to open and allow metered flow from (1) to (2).

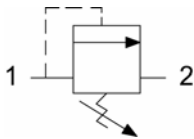
The cartridge offers smooth transition in response to load changes in common hydraulic circuits.

**FEATURES**

- Hardened parts for long life.
- Industry common cavity.

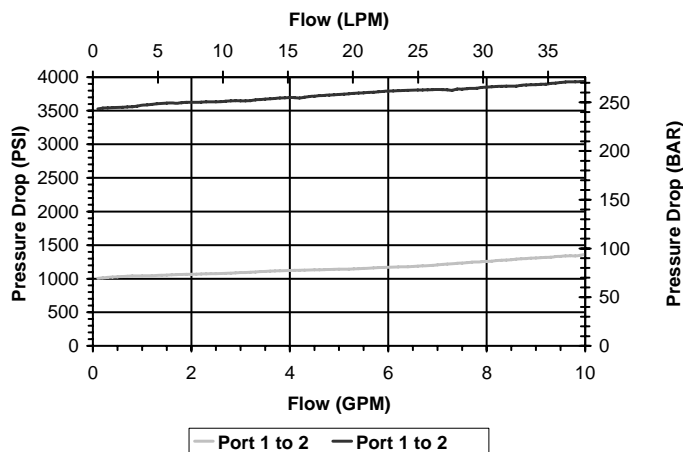


**HYDRAULIC SYMBOL**



**PERFORMANCE**

Actual Test Data (Cartridge Only)

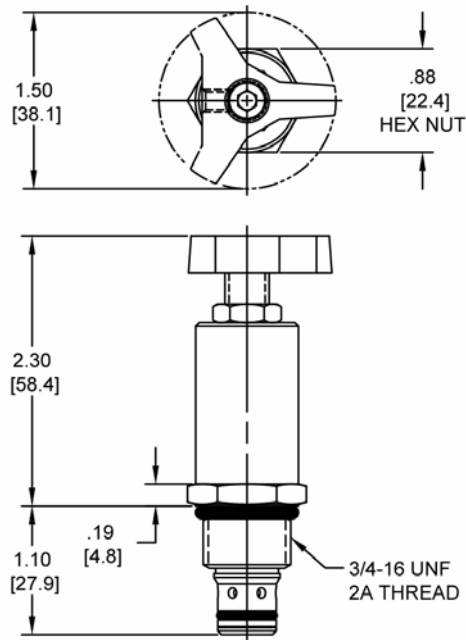


**VALVE SPECIFICATIONS**

Nominal Flow	8 GPM (30 LPM)
Rated Operating Pressure	3500 PSI (241 bar)
Viscosity Range	36 to 3000 SSU (3 to 647 cSt)
Filtration	ISO 18/16/13
Media Operating Temperature Range	-40° to 250° F (-40° to 120° C)
Weight	.32 lbs. (.15 kg)
Operating Fluid Media	General Purpose Hydraulic Fluid
Cartridge Torque Requirements	25 ft-lbs (34 Nm)
Cavity	POWER 2W
Cavity Tools kit (form tool, reamer, tap)	40500005
Seal Kit	21191100

**WARNING:** The specifications/application data shown in our catalogs and data sheets is intended only as a general guide for the product described (herein). Any specific application should not be undertaken without independent study, evaluation, and testing for suitability.

**DIMENSIONS**



(for bodies style and sizes see section "Accessories")

**ORDERING INFORMATION**

<b>PB-RWD</b> - - - - -			
<b>OPTIONS</b>			<b>BODIES</b>
External Adj. W/Locknut Buna	<b>00</b>	Blank	Without Body
External Adj. W/Locknut Viton	<b>V0</b>	<b>N</b>	1/4" BSP Ports
Buna, Knob	<b>0K</b>	<b>S</b>	#6 SAE Ports
Viton, Knob	<b>VK</b>		
Internal Adj. Buna	<b>0I</b>		
Internal Adj. Viton	<b>VI</b>		
Tamper Proof Buna	<b>0T</b>		
Tamper Proof Viton	<b>VT</b>		
	<b>1000</b>		<b>PRESSURE RANGE/SETTING</b>
	<b>3500</b>		<b>Ext./Int. Adjustable</b>
			100 - 1000 PSI
			500 - 3500 PSI
			<b>Tamper Proof</b>
			Fill in 4 Digit Pressure Setting
			Example: 0500 - 500 PSI

**WARNING:** The specifications/application data shown in our catalogs and data sheets is intended only as a general guide for the product described (herein). Any specific application should not be undertaken without independent study, evaluation, and testing for suitability.

**DE-RWD Differential Area Relief Valve**

**DESCRIPTION**

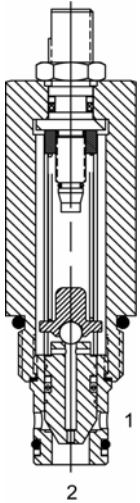
10 size, 7/8-14 thread, "Delta" series, differential area relief valve.

**OPERATION**

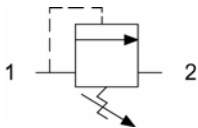
The DE-RWD blocks flow from (1) to (2) until sufficient pressure is present at (1) to force the poppet to open and allow metered flow from (1) to (2).

**FEATURES**

- Hardened parts for long life.
- Industry common cavity.

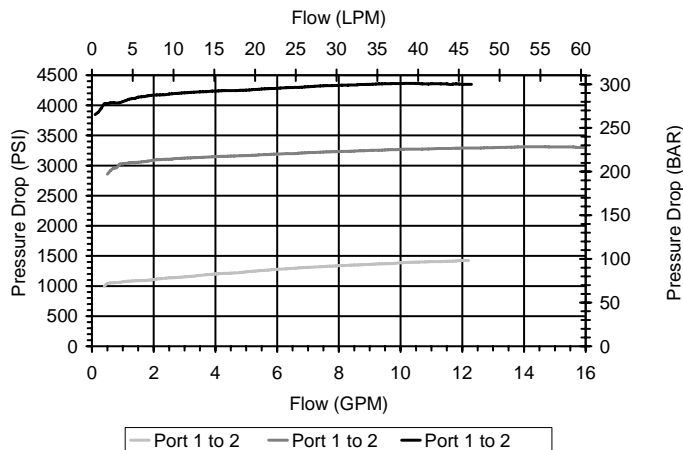


**HYDRAULIC SYMBOL**



**PERFORMANCE**

Actual Test Data (Cartridge Only)

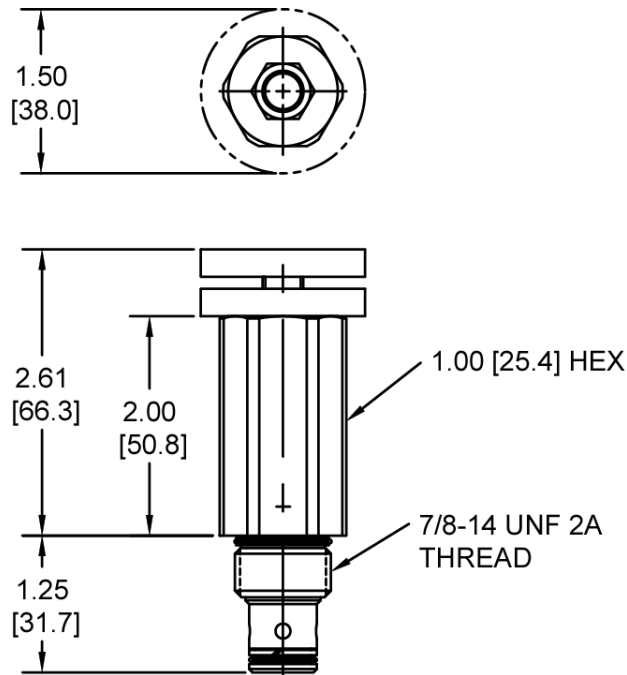


**VALVE SPECIFICATIONS**

Nominal Flow	15 GPM (57 LPM)
Rated Operating Pressure	4000 PSI (276 bar)
Viscosity Range	36 to 3000 SSU (3 to 647 cSt)
Filtration	ISO 18/16/13
Media Operating Temperature Range	-40° to 250° F (-40° to 120° C)
Weight	.55 lbs. (.25 kg)
Operating Fluid Media	General Purpose Hydraulic Fluid
Cartridge Torque Requirements	30 ft-lbs (40.6 Nm)
Coil Nut Torque Requirements	6 ft-lbs (8.1 Nm) Maximum
Cavity	DELTA 2W
Cavity Tools kit (form tool, reamer, tap)	40500000
Seal Kit	21191200

**WARNING:** The specifications/application data shown in our catalogs and data sheets is intended only as a general guide for the product described (herein). Any specific application should not be undertaken without independent study, evaluation, and testing for suitability.

**DIMENSIONS**



(for bodies style and sizes see section "Accessories")

**ORDERING INFORMATION**

<b>DE-RWD</b>		-	-	-	-
<b>OPTIONS</b>					<b>BODIES</b>
External Adj. W/Locknut, Buna	<b>00</b>				Blank
External Adj. W/Locknut, Viton	<b>V0</b>				<b>N</b> 3/8" BSP Ports
Buna, Knob	<b>OK</b>				<b>S</b> #8 SAE Ports
Viton, Knob	<b>VK</b>				
Internally Adj. Buna	<b>OI</b>				
Internally Adj. Viton	<b>VI</b>				
Tamper Proof, Buna	<b>OT</b>				
Tamper Proof, Viton	<b>VT</b>				
		<b>0500</b>			
		<b>3000</b>			
		<b>4000</b>			
					<b>PRESSURE RANGE/SETTING</b>
					<b>Ext./Int. Adjustment</b>
					100 – 500 PSI
					100 – 3000 PSI
					3000 – 4000 PSI
					<b>Tamper Proof</b>
					Fill In 4 Digit Pressure Setting
					Example: 0500 – 500 PSI

**WARNING:** The specifications/application data shown in our catalogs and data sheets is intended only as a general guide for the product described (herein). Any specific application should not be undertaken without independent study, evaluation, and testing for suitability.