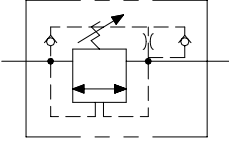


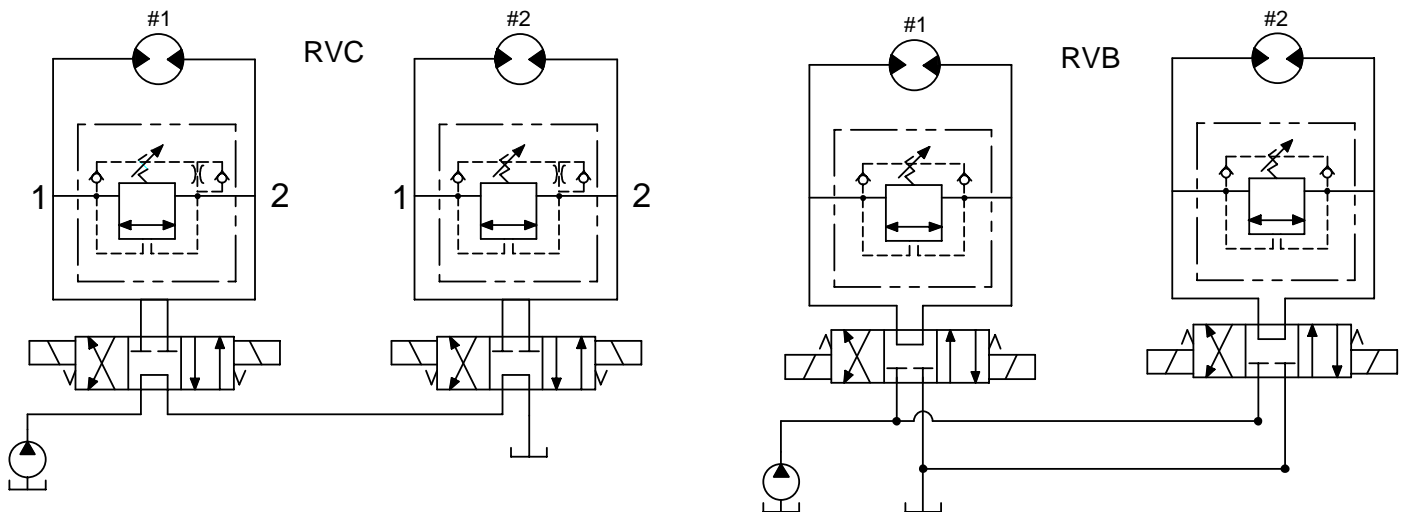
Crossover Relief Valves

	GPM	PSI	LPM	BAR	MODEL	PAGE
	15	4000	57	276	DE-RVB	150
	15	4000	57	276	DE-RVC	152

Typical Schematic

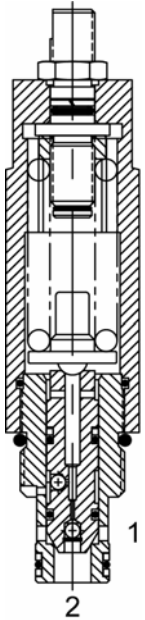
Typical application for the RVC is in a series circuit where a load on motor #2 causes back pressure on motor #1 and relief valve #1. Vent in port 2 of RV 1 allows spring to maintain proper load on motor #1 even though back pressure is present. Port 2 pressure into spring chamber to offset back pressure. Vent at port 2 causes .2 GPM flow from port 2 to port 1.

Typical application for the RVB is in a parallel circuit where the load on motor #2 does not cause back pressure on motor #1. Relief valve maintains differential pressure across motor because one side of motor always goes to tank.



WARNING: The specifications/application data shown in our catalogs and data sheets are intended only as a general guide for the product described (herein). Any specific application should not be undertaken without independent study, evaluation, and testing for suitability.

DE-RVB Crossover Relief Valve, For Parallel Circuits



DESCRIPTION

10 size, 7/8-14 thread, "Delta" series, crossover relief valve for parallel circuit applications

OPERATION

The DE-RVB is a direct-acting, cross over relief valve. When pressure at either port exceeds the nominal setting value, flow will be diverted to the opposite port.

Back pressure at either port will affect the nominal setting of the opposite port on a 1:1 basis.

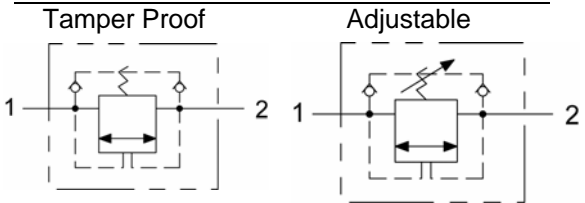
For correlation purposes, pre-set value will be measured at port (2). Pressure at port (1) will not vary more than ± 300 PSI from the port (2) value.

The cartridge offers smooth transition in response to load changes in common hydraulic circuits.

FEATURES

- Hardened parts for long life.
- Industry common cavity.

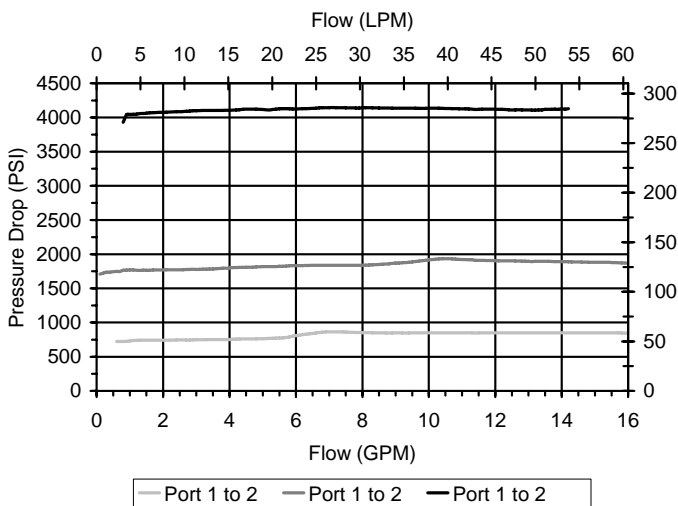
HYDRAULIC SYMBOL



The DE-RVB is designed for parallel circuit applications. For series circuits, use DE-RVC

PERFORMANCE

Actual Test Data (Cartridge Only)

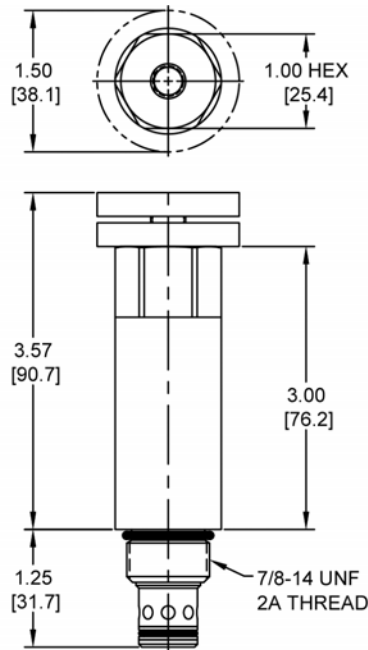


VALVE SPECIFICATIONS

Nominal Flow	15 GPM (57 LPM) FROM (2) TO (1) 20 GPM (76 LPM) FROM (1) TO (2)
Rated Operating Pressure	4000 PSI (276 bar)
Viscosity Range	36 to 3000 SSU (3 to 647 cSt)
Filtration	ISO 18/16/13
Media Operating Temperature Range	-40° to 250° F (-40° to 120° C)
Weight	.80 lbs. (.36 kg)
Operating Fluid Media	General Purpose Hydraulic Fluid
Cartridge Torque Requirements	30 ft-lbs (40.6 Nm)
Cavity	DELTA 2W
Cavity Tools kit (form tool, reamer, tap)	40500000
Seal Kit	21191202

WARNING: The specifications/application data shown in our catalogs and data sheets is intended only as a general guide for the product described (herein). Any specific application should not be undertaken without independent study, evaluation, and testing for suitability.

DIMENSIONS



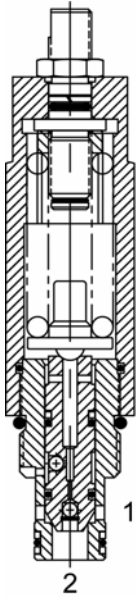
(for bodies style and sizes see section "Accessories")

ORDERING INFORMATION

DE-RVB - - - -			
OPTIONS			BODIES
Buna Standard	00		Without Body
Viton Standard	V0		3/8" BSP Ports
Buna, Knob	0K		#8 SAE Ports
Viton, Knob	VK		
		Blank	
		N	
		S	
			PRESSURE RANGE/SETTING
			Ext./Int. Adjustable
		0700	100 – 700 PSI
		1800	500 – 1800 PSI
		4000	1000 – 4000 PSI
			Tamper Proof
			Fill in 4 Digit Pressure Setting
			Example: 0500 – 500 PSI

WARNING: The specifications/application data shown in our catalogs and data sheets is intended only as a general guide for the product described (herein). Any specific application should not be undertaken without independent study, evaluation, and testing for suitability.

DE-RVC Crossover Relief Valve, For Series Circuits



DESCRIPTION

10 size, 7/8-14 thread, "Delta" series, crossover relief valve for series circuit application

OPERATION

The DE-RVC is a direct-acting, cross over relief valve. When pressure at either port exceeds the nominal setting value, flow will be diverted to the opposite port.

Back pressure at either port will affect the nominal setting of the opposite port on a 1:1 basis.

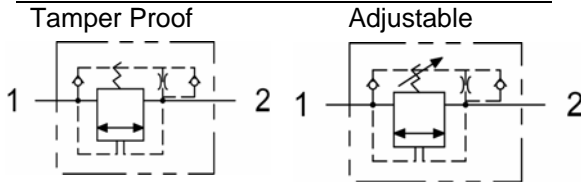
For correlation purposes, pre-set value will be measured at port (2). Pressure at port (1) will not vary more than ± 300 PSI from the port (2) value.

The cartridge offers smooth transition in response to load changes in common hydraulic circuits.

FEATURES

- Hardened parts for long life.
- Industry common cavity.

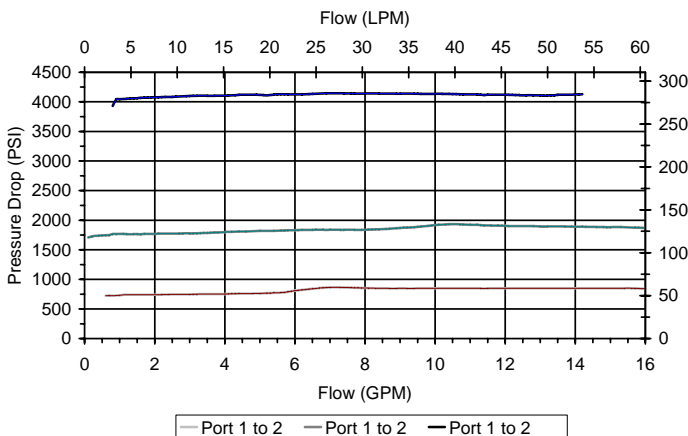
HYDRAULIC SYMBOL



The DE-RVC is designed for series circuit applications with controlled leakage between ports (2) and (1). For parallel circuits, use DE-RVB.

PERFORMANCE

Actual Test Data (Cartridge Only)

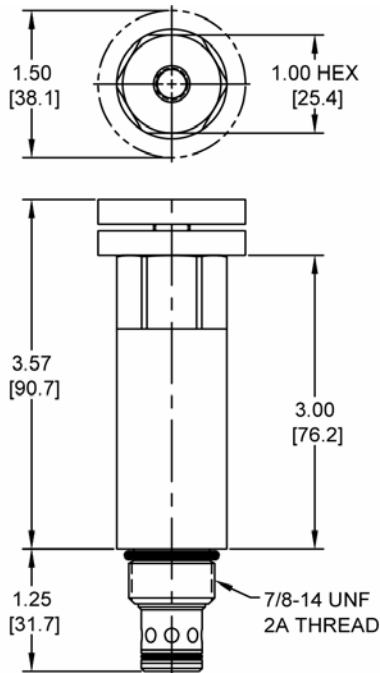


VALVE SPECIFICATIONS

Nominal Flow	15 GPM (57 LPM) FROM (2) TO (1) 20 GPM (76LPM) FROM (1) TO (2)
Rated Operating Pressure	4000 PSI (276 bar)
Viscosity Range	36 to 3000 SSU (3 to 647 cSt)
Filtration	ISO 18/16/13
Media Operating Temperature Range	-40° to 250° F (-40° to 120° C)
Weight	.80 lbs. (.36 kg)
Operating Fluid Media	General Purpose Hydraulic Fluid
Cartridge Torque Requirements	30 ft-lbs (40.6 Nm)
Cavity	DELTA 2W
Cavity Tools kit (form tool, reamer, tap)	40500000
Seal Kit	21191202

WARNING: The specifications/application data shown in our catalogs and data sheets is intended only as a general guide for the product described (herein). Any specific application should not be undertaken without independent study, evaluation, and testing for suitability.

DIMENSIONS



(for bodies style and sizes see section "Accessories")

ORDERING INFORMATION

DE-RVC -		-	-	-
OPTIONS				BODIES
Buna Standard	00			Blank
Viton Standard	V0			N
Buna, Knob	0K			S
Viton, Knob	VK			Without Body
				1/2" BSP Ports
				#8 SAE Ports
				PRESSURE RANGE/SETTING
				Ext./Int. Adjustable
		0700		100 – 700 PSI
		1800		500 – 1800 PSI
		4000		1000 – 4000 PSI
				Tamper Proof
				Fill in 4 Digit Pressure Setting
				Example: 0500 – 500 PSI

WARNING: The specifications/application data shown in our catalogs and data sheets is intended only as a general guide for the product described (herein). Any specific application should not be undertaken without independent study, evaluation, and testing for suitability.