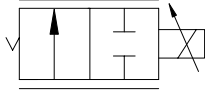


2 Way Normally Open Proportional Flow Regulator Valves

Spool Type

	GPM	PSI	LPM	BAR	MODEL	PAGE
	8	3500	30	245	EE-P2H	40

WARNING: The specifications/application data shown in our catalogs and data sheets are intended only as a general guide for the product described (herein). Any specific application should not be undertaken without independent study, evaluation, and testing for suitability.

TECNORD

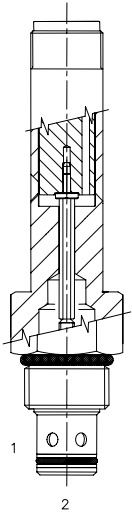
Phone +39 059 254895

Fax +39 059 253512

E-mail: tecnord@tecnord.com

a Delta Power Co.

EE-P2H 2 Way, Normally Open, Proportional Flow Control Valve



DESCRIPTION

10 size, 7/8-14 thread, solenoid operated, 2 way normally open, proportional flow control valve.

OPERATION

When de-energized the EE-P2H allows flow from (1) to (2).

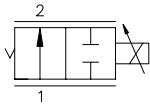
When fully energized, the valve blocks flow at port (1) and (2). Flow is proportional to current applied to the coil. A compensator must be used to create a pressure compensated flow control function.

OPERATION OF MANUAL OVERRIDE OPTION: To override, turn the manual override screw clockwise. To release turn the manual override screw counter-clockwise.

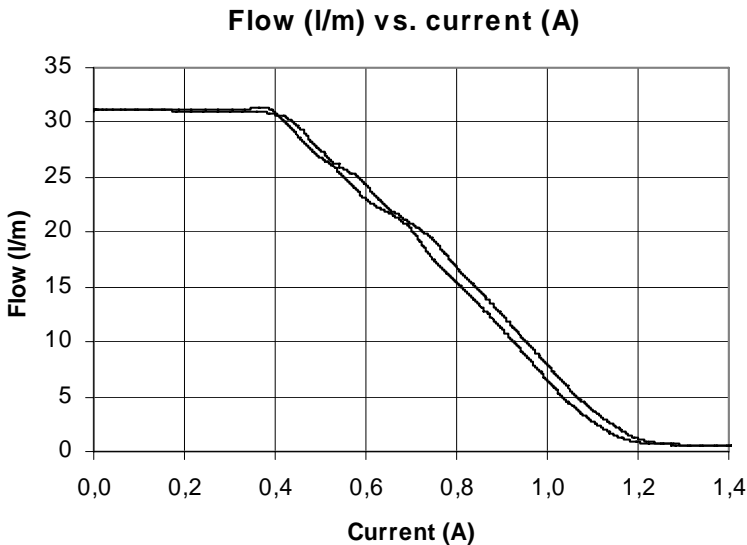
FEATURES

- Efficient wet-armature construction.
- Cartridges are voltage interchangeable.
- Industry common cavity.
- Unitized, molded coil design.
- Continuous duty rated solenoid.
- Optional coil voltages and terminations.

HYDRAULIC SYMBOL



PERFORMANCE



VALVE SPECIFICATIONS

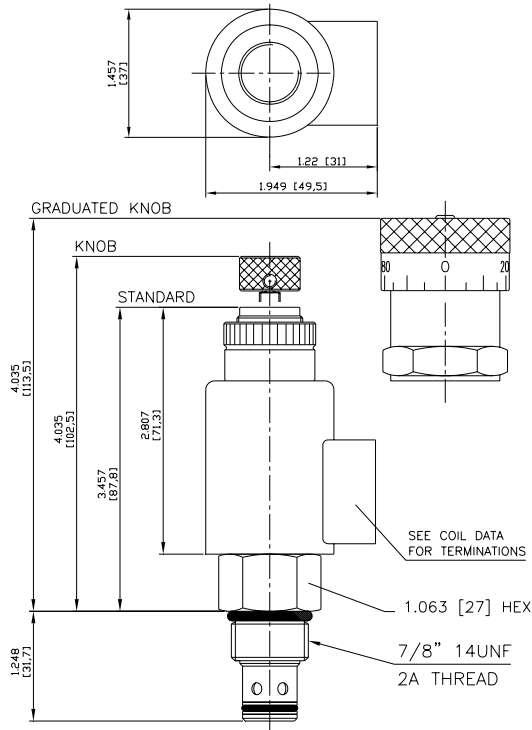
Flow range	0 – 8 GPM (0 - 31 LPM)
Max System Pressure	3500 PSI (245 bar)
Leakage	max 100 cc/min at 250 bar
Hysteresis	+ / - 4%
Viscosity Range	36 to 3000 SSU (3 to 647 cSt)
Filtration	ISO 18/16/13
Media Operating Temperature Range	-40° to 250° F (-40° to 120° C)
Weight	.58 lbs. (.26 kg)
Operating Fluid Media	General Purpose Hydraulic Fluid
Cartridge Torque Requirements	26 ft-lbs (35 Nm)
Coil Nut Torque Requirements	2-3 ft-lbs (3-4 Nm)
Cavity	DELTA 2W
Cavity Tools kit (form tool, reamer, tap)	40500000
Seal Kit	21191200

COIL SPECIFICATIONS

Current Supply Characteristics	PWM
Rated Current Range	300 – 1200 mA
PWM or Super-imposed Dither Frequency	100 - 150 Hz
Coil Resistance (12 Vdc)	7,5 Ohm +/- 5% at 68°F (20°C)

WARNING: The specifications/application data shown in our catalogs and data sheets is intended only as a general guide for the product described (herein). Any specific application should not be undertaken without independent study, evaluation, and testing for suitability.

DIMENSIONS



(for bodies style and sizes see section "Accessories")

ORDERING INFORMATION

EE - P2H -

- OPTIONS**
- Buna, push type override (Standard) **00**
 - Buna, screw type override(Knob) **0M**
 - Buna, screw type override(Grad. Knob) **0K**

- BODIES**
- Blank
 - N
 - S

- VOLTAGE**
- 12
 - 24

"I" COIL TERMINATION

- HC** DIN 43650 (Hirschman)
- DI** Deutsch – Integral DT04-2P
- JT** AMP Jr. Timer

Approximate Coil Weight: .47 lbs. (.21 kg.)

WARNING: The specifications/application data shown in our catalogs and data sheets is intended only as a general guide for the product described (herein). Any specific application should not be undertaken without independent study, evaluation, and testing for suitability.