

2 Way 2 Position Manual Valves

	GPM	PSI	LPM	BAR	MODEL	PAGE
	12	3500	45	241	PB-MCA	
	15	3500	57	241	DE-MCA	
	10	1500	38	103	DE-MCF	
	20	3500	76	241	DE-MCS	
	20	3500	76	241	DE-MCB	
	8	3500	30	241	PB-MCI	
	8	3500	30	241	PB-MCL	
	15	3500	57	241	DE-MCL	
	20	3000	76	207	DE-M2G	
	1	4000	4	276	HB-MCP	

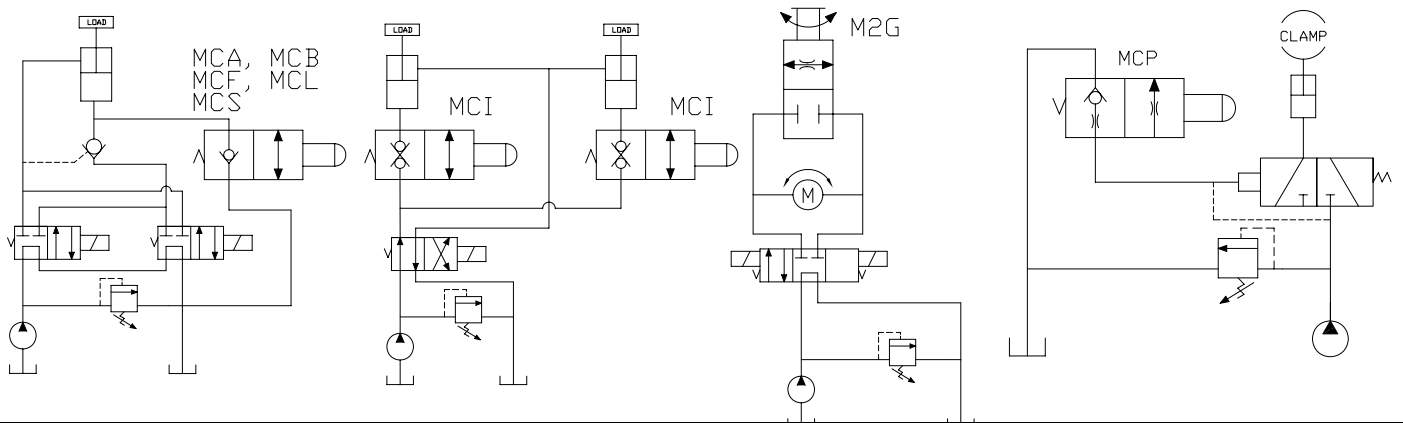
Typical Schematic

Typical application for MCA, MCB, MCF, MCL, and MCS is an emergency lowering device.

Typical application for the MCI is a selector circuit when load holding is required in both directions.

Typical application for the M2G is adjustable speed control or full pass of fluid motor.

Typical application for the MCP is a pilot dump valve.



WARNING: The specifications/application data shown in our catalogs and data sheets are intended only as a general guide for the product described (herein). Any specific application should not be undertaken without independent study, evaluation, and testing for suitability.

PB-MCA Manual Poppet Valve, 2 Way Normally Closed, Pull Type

DESCRIPTION

8 size, 3/4-16 thread, "Power" series, manual poppet , 2 way normally closed, pull type valve.

OPERATION

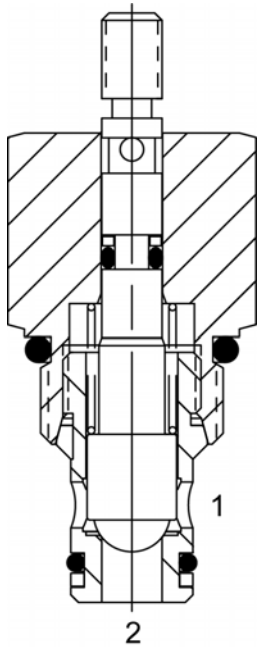
The PB-MCA blocks flow from (1) to (2) until an operator pulls the shaft outward.

The bias spring (see option page for pressure) allows for backpressure at (2) before the valve will open.

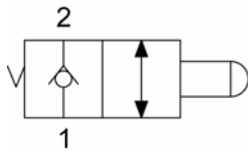
Note: Pressure at port (2) will act directly on the poppet and spring. Port (2) is intended to be a tank port only.

FEATURES

- Hardened parts for long life.
- Industry common cavity.
- Optional bias springs for backpressure application flexibility.



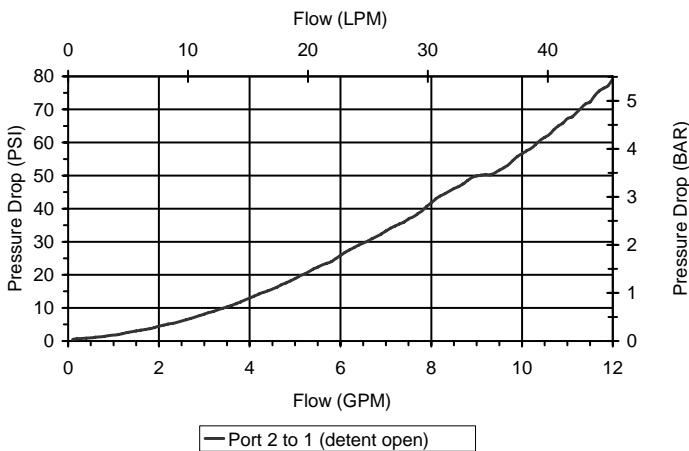
HYDRAULIC SYMBOL



65 PSI bias provides comfortable effort where return line is near zero. 150 PSI option may be difficult to pull, if tank pressure is near zero.

PERFORMANCE

Actual Test Data (Cartridge Only)

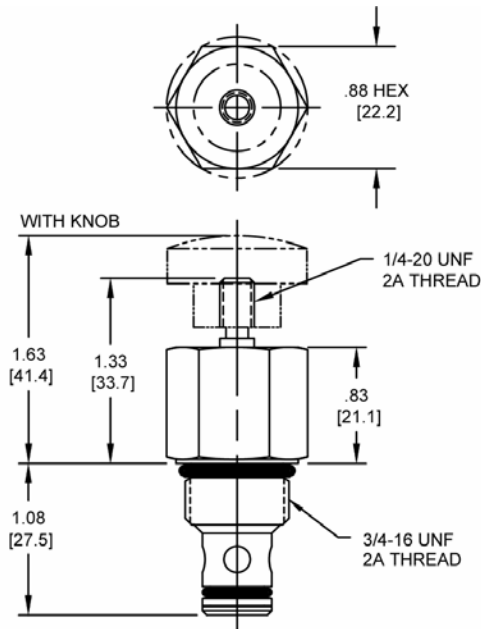


VALVE SPECIFICATIONS

Nominal Flow	12 GPM (45 LPM)
Rated Operating Pressure	3500 PSI (241 bar)
Typical Internal Leakage (150 SSU)	0-5 drops/min
Viscosity Range	36 to 3000 SSU (3 to 647 cSt)
Filtration	ISO 18/16/13
Media Operating Temperature Range	-40° to 250° F (-40° to 120° C)
Weight	.21 lbs. (.10 kg)
Operating Fluid Media	General Purpose Hydraulic Fluid
Cartridge Torque Requirements	25 ft-lbs (34 Nm)
Cavity	POWER 2W
Cavity Tools kit (form tool, reamer, tap)	40500005
Seal Kit	21191100

WARNING: The specifications/application data shown in our catalogs and data sheets is intended only as a general guide for the product described (herein). Any specific application should not be undertaken without independent study, evaluation, and testing for suitability.

DIMENSIONS



(for bodies style and sizes see section "Accessories")

ORDERING INFORMATION

PB-MCA - - - -			
OPTIONS			BODIES
Buna Standard	00		Blank
Viton Standard	V0		N 1/4" BSP PORTS
Buna, Screen	A0		S #6 SAE PORTS
Viton, Screen	W0		
Buna, Knob	0K		
Viton, Knob	VK		
Buna, Knob, Screen	AK	0075	SPRING BIAS PRESSURE
Viton, Knob, Screen	WK	0150	75 PSI
			150 PSI

NOTE: Use screen only if flow direction is from (1) to (2).

NOTE: Pressure above **SPRING BIAS PRESSURE** at port (2) may cause valve to self open.

WARNING: The specifications/application data shown in our catalogs and data sheets is intended only as a general guide for the product described (herein). Any specific application should not be undertaken without independent study, evaluation, and testing for suitability.

DE-MCA Manual Poppet Valve, 2 Way Normally Closed, Pull Type

DESCRIPTION

10 size, 7/8-14 thread, "Delta" series, manual poppet valve, 2 way normally closed, pull type.

OPERATION

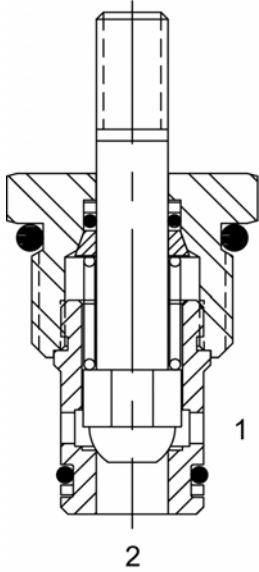
The DE-MCA blocks flow from (1) to (2) until an operator pulls the shaft outward.

The bias spring allows for backpressure at (2) before the valve will open (See option page for pressure).

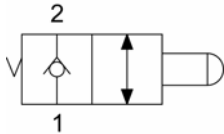
Note: Pressure at port (2) will directly act on the poppet and spring. Port (2) is intended to be a tank port only.

FEATURES

- Hardened parts for long life.
- Industry common cavity.
- Optional bias springs for backpressure application flexibility.



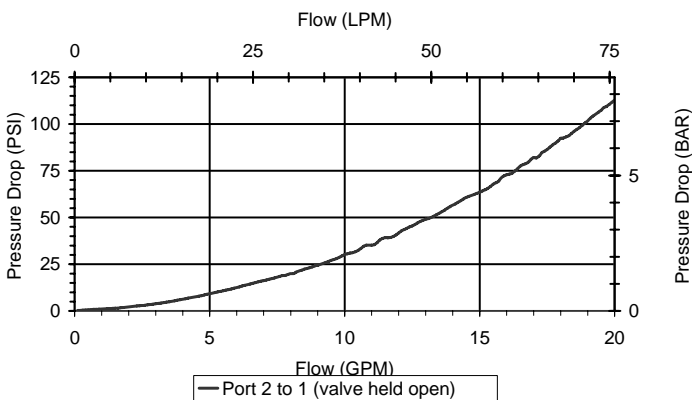
HYDRAULIC SYMBOL



65 PSI bias provides comfortable effort where return line is near zero. 160 PSI option may be difficult to pull, if tank pressure is near zero.

PERFORMANCE

Actual Test Data (Cartridge Only)

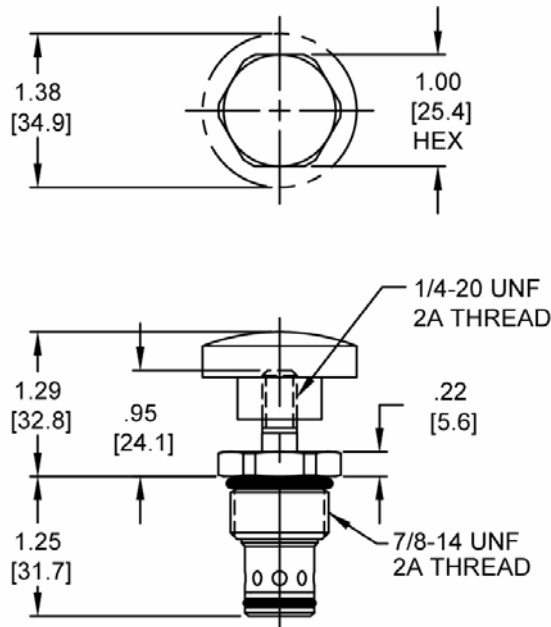


VALVE SPECIFICATIONS

Nominal Flow	20 GPM (76 LPM)
Rated Operating Pressure	3500 PSI (241 bar)
Typical Internal Leakage (150 SSU)	5 drops/min
Viscosity Range	36 to 3000 SSU (3 to 647 cSt)
Filtration	ISO 18/16/13
Media Operating Temperature Range	-40° to 250° F (-40° to 120° C)
Weight	.18 lbs. (.08 kg)
Operating Fluid Media	General Purpose Hydraulic Fluid
Cartridge Torque Requirements	30 ft-lbs (40.6 Nm)
Cavity	DELTA 2W
Cavity Tools kit (form tool, reamer, tap)	40500000
Seal Kit	21191200

WARNING: The specifications/application data shown in our catalogs and data sheets is intended only as a general guide for the product described (herein). Any specific application should not be undertaken without independent study, evaluation, and testing for suitability.

DIMENSIONS



(for bodies style and sizes see section "Accessories")

ORDERING INFORMATION

DE-MCA		-	-	-	-
OPTIONS					BODIES
Buna Standard	00				Blank
Viton Standard	V0				Without Body
Buna, Screen	A0				N 3/8" BSP Ports
Viton, Screen	W0				S #8 SAE Ports
Buna, Knob	0K				
Viton, Knob	VK		0065		
Buna, Knob, Screen	AK		0160		
Viton, Knob, Screen	WK				
					SPRING BIAS PRESSURE
					65 PSI
					160 PSI

NOTE: Use screen only if flow direction is from (1) to (2).

NOTE: Pressure above **SPRING BIAS PRESSURE** at port (2) may cause valve to self open.

WARNING: The specifications/application data shown in our catalogs and data sheets is intended only as a general guide for the product described (herein). Any specific application should not be undertaken without independent study, evaluation, and testing for suitability.

DE-MCF Manual Poppet Valve, 2 Way Normally Closed, Pull Type, Soft Seat

DESCRIPTION

10 size, 7/8-14 thread, "Delta" series, manual poppet valve, 2 way normally closed, pull type, soft seat.

OPERATION

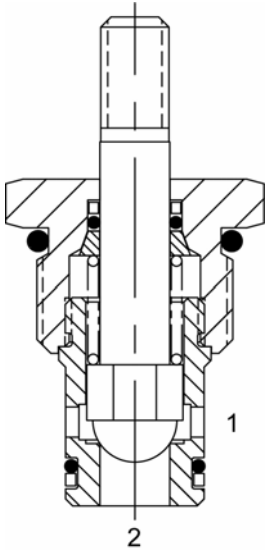
The DE-MCF blocks flow from (1) to (2) until an operator pulls the shaft outward.

The bias spring allows for backpressure at (2) before the valve will open (See option page for pressure).

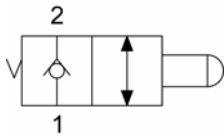
Note: Pressure at port (2) will directly act on the spool and spring. Port (2) is intended to be a tank port only.

FEATURES

- Hardened parts for long life.
- Industry common cavity.
- Soft seat for ultra low leakage.

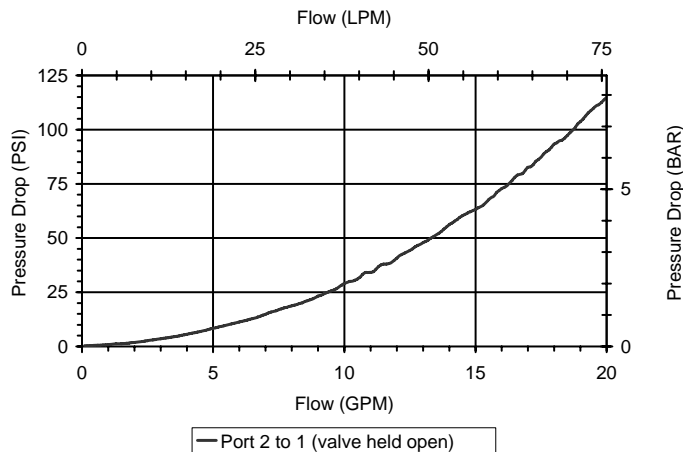


HYDRAULIC SYMBOL



PERFORMANCE

Actual Test Data (Cartridge Only)

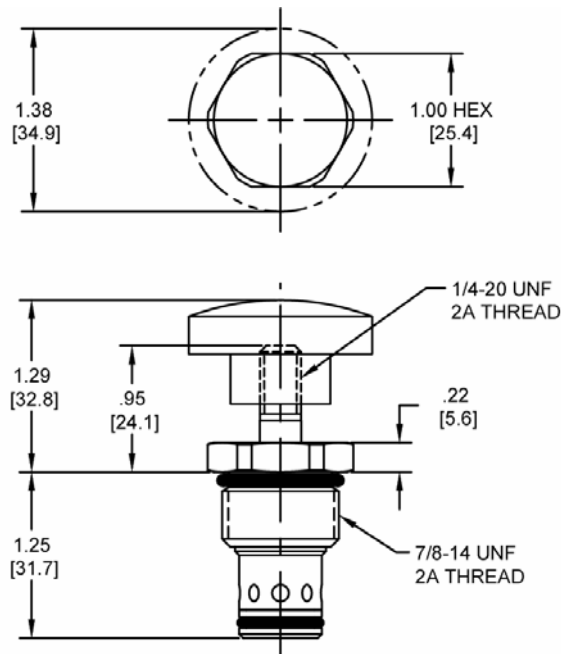


VALVE SPECIFICATIONS

Nominal Flow	20 GPM (76 LPM)
Rated Operating Pressure	1500 PSI (103 bar)
Typical Internal Leakage (150 SSU)	Negligible
Viscosity Range	36 to 3000 SSU (3 to 647 cSt)
Filtration	ISO 18/16/13
Media Operating Temperature Range	32° to 160° F (0° to 70° C)
Weight	.14 lbs. (.06 kg)
Operating Fluid Media	General Purpose Hydraulic Fluid
Cartridge Torque Requirements	30 ft-lbs (40.6 Nm)
Cavity	DELTA 2W
Cavity Tools kit (form tool, reamer, tap)	40500000
Seal Kit	21191200

WARNING: The specifications/application data shown in our catalogs and data sheets is intended only as a general guide for the product described (herein). Any specific application should not be undertaken without independent study, evaluation, and testing for suitability.

DIMENSIONS



(for bodies style and sizes see section "Accessories")

ORDERING INFORMATION

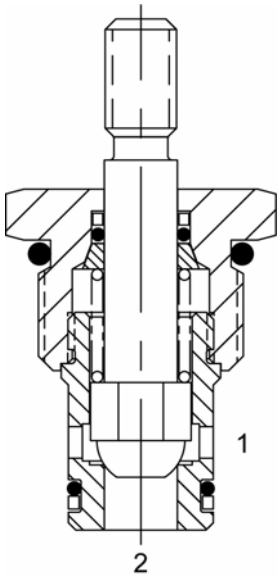
DE-MCF		-	-	-	-
OPTIONS					BODIES
Buna Standard	00				Blank
Viton Standard	V0				N
Buna, Knob	0K				S
Viton, Knob	VK				Without Body
Buna, Screen	A0				3/8" BSP Ports
Viton, Screen	W0		0065		#8 SAE Ports
Buna, Knob, Screen	AK				
Viton, Knob, Screen	WK				
					SPRING BIAS PRESSURE
					65 PSI

NOTE: Use screen only if flow direction is from (1) to (2).

NOTE: Pressure above **SPRING BIAS PRESSURE** at port (2) may cause valve to self open.

WARNING: The specifications/application data shown in our catalogs and data sheets is intended only as a general guide for the product described (herein). Any specific application should not be undertaken without independent study, evaluation, and testing for suitability.

DE-MCS Manual Poppet Valve, 2 way Normally Closed, Pull Type, Corrosion Resistant



DESCRIPTION

10 size, 7/8-14 thread, "Delta" series, manual poppet valve, 2 way normally closed, pull type, corrosion resistant.

OPERATION

The DE-MCS blocks flow from (1) to (2) until an operator pulls the shaft outward.

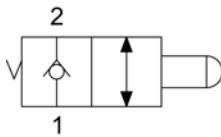
The bias spring allows for backpressure at (2) before the valve will open (See option page for pressure).

Note: Pressure at port (2) will directly act on the spool and spring. Port (2) is intended to be a tank port only.

FEATURES

- Hardened parts for long life.
- Industry common cavity.
- Corrosion resistant.

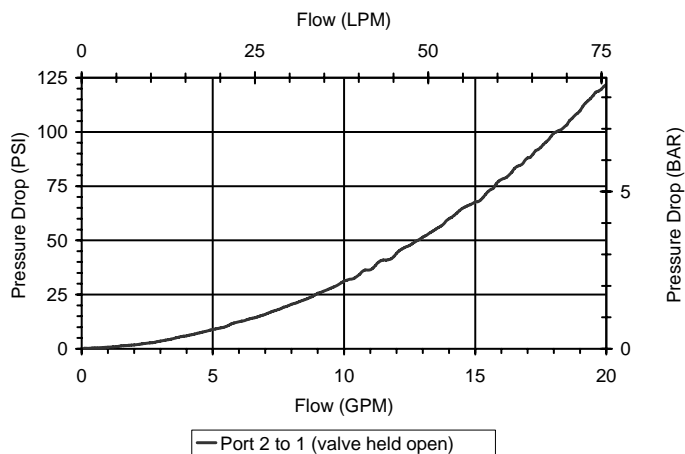
HYDRAULIC SYMBOL



Stainless Steel Shaft.

PERFORMANCE

Actual Test Data (Cartridge Only)

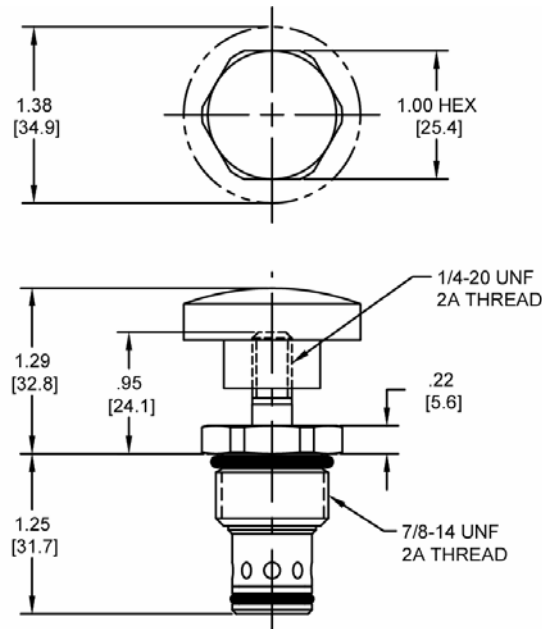


VALVE SPECIFICATIONS

Nominal Flow	20 GPM (76 LPM)
Rated Operating Pressure	3500 PSI (241 bar)
Typical Internal Leakage (150 SSU)	0-5 drops/min
Viscosity Range	36 to 3000 SSU (3 to 647 cSt)
Filtration	ISO 18/16/13
Media Operating Temperature Range	-40° to 250° F (-40° to 120° C)
Weight	.75 lbs. (.34 kg)
Operating Fluid Media	General Purpose Hydraulic Fluid
Cartridge Torque Requirements	30 ft-lbs (40.6 Nm)
Cavity	DELTA 2W
Cavity Tools kit (form tool, reamer, tap)	40500000
Seal Kit	21191200

WARNING: The specifications/application data shown in our catalogs and data sheets is intended only as a general guide for the product described (herein). Any specific application should not be undertaken without independent study, evaluation, and testing for suitability.

DIMENSIONS



(for bodies style and sizes see section "Accessories")

ORDERING INFORMATION

DE-MCS -		-	-	-
OPTIONS				BODIES
Buna Standard	00			Blank Without Body
Viton Standard	V0			N 3/8" BSP Ports
Buna, Screen	A0			S #8 SAE Ports
Viton, Screen	W0			
Buna, Knob	0K			SPRING BIAS
Viton, Knob	VK		0065	65 PSI
Buna, Knob, Screen	AK		0160	160 PSI
Viton, Knob, Screen	WK			

NOTE: Use screen only if flow direction is from (1) to (2).

NOTE: Pressure above **SPRING BIAS PRESSURE** at port (2) may cause valve to self open.

WARNING: The specifications/application data shown in our catalogs and data sheets is intended only as a general guide for the product described (herein). Any specific application should not be undertaken without independent study, evaluation, and testing for suitability.

DE-MCB Manual Poppet Valve, 2 Way Normally Closed, Pull, Detent

DESCRIPTION

10 size, 7/8-14 thread, "Delta" series, manual poppet valve, 2 way normally closed, pull with detent.

OPERATION

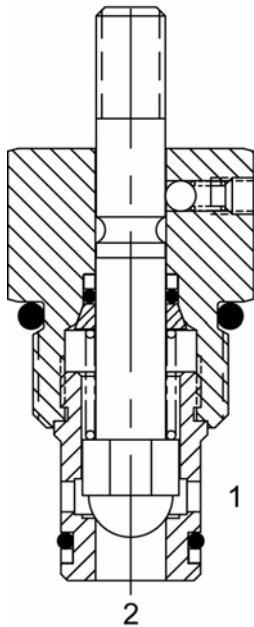
The DE-MCB blocks flow from (1) to (2) until an operator pulls the shaft outward.

The bias spring allows for backpressure at (2) before the valve will open (See option page for pressure).

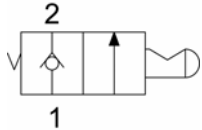
Note: Pressure at port (2) will directly act on the spool and spring. Port (2) is intended to be a tank port only.

FEATURES

- Hardened parts for long life.
- Industry common cavity.
- Optional bias springs for backpressure application flexibility.



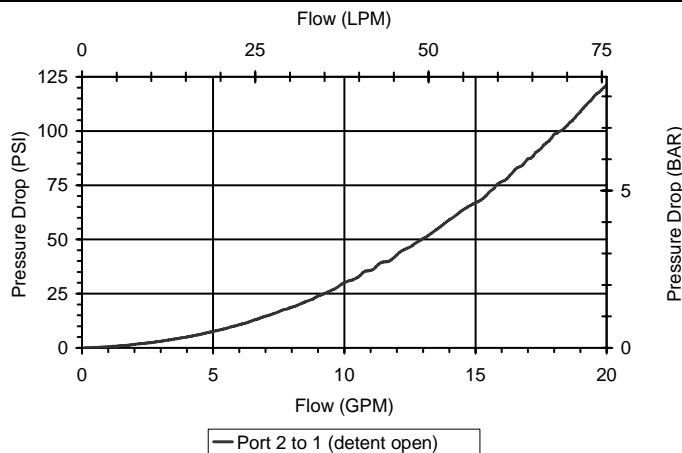
HYDRAULIC SYMBOL



65 PSI bias provides comfortable effort where return line is near zero. 160 PSI option may be difficult to pull, if tank pressure is near zero.

PERFORMANCE

Actual Test Data (Cartridge Only)

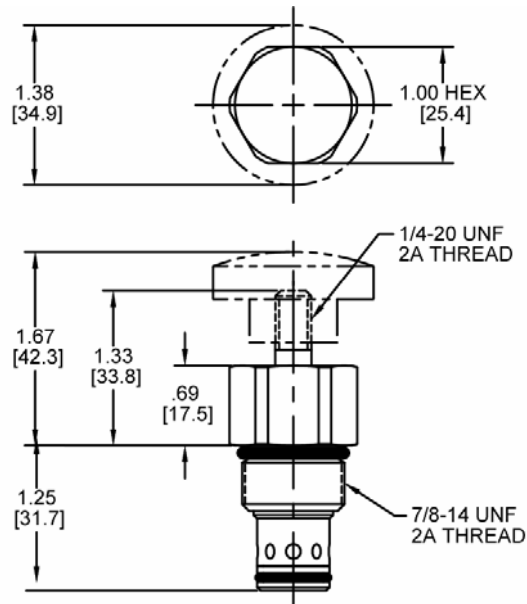


VALVE SPECIFICATIONS

Nominal Flow	20 GPM (76 LPM)
Rated Operating Pressure	3500 PSI (241 bar)
Typical Internal Leakage (150 SSU)	5 drops/min
Viscosity Range	36 to 3000 SSU (3 to 647 cSt)
Filtration	ISO 18/16/13
Media Operating Temperature Range	-40° to 250° F (-40° to 120° C)
Weight	.28 lbs. (.13 kg)
Operating Fluid Media	General Purpose Hydraulic Fluid
Cartridge Torque Requirements	30 ft-lbs (40.6 Nm)
Cavity	DELTA 2W
Cavity Tools kit (form tool, reamer, tap)	40500000
Seal Kit	21191200

WARNING: The specifications/application data shown in our catalogs and data sheets is intended only as a general guide for the product described (herein). Any specific application should not be undertaken without independent study, evaluation, and testing for suitability.

DIMENSIONS



(for bodies style and sizes see section "Accessories")

ORDERING INFORMATION

DE-MCB		-	-	-	-
<u>OPTIONS</u>					<u>BODIES</u>
Buna Standard	00				Blank Without Body
Viton Standard	V0				N 3/8" BSP Ports
Buna, Screen	A0				S #8 SAE Ports
Viton, Screen	W0				
Buna, Knob	0K				<u>SPRING BIAS PRESSURE</u>
Viton, Knob	VK		0065		65 PSI
Buna, Knob, Screen	AK		0160		160 PSI
Viton, Knob, Screen	WK				

NOTE: Use screen only if flow direction is from (1) to (2).

NOTE: Pressure above **SPRING BIAS PRESSURE** at port (2) may cause valve to self open.

WARNING: The specifications/application data shown in our catalogs and data sheets is intended only as a general guide for the product described (herein). Any specific application should not be undertaken without independent study, evaluation, and testing for suitability.

PB-MCI Manual Poppet Valve, 2 Way Normally Closed, Push Type

DESCRIPTION

8 size, 3/4-16 thread, "Power" series, manual poppet, 2 way normally closed, push type valve.

OPERATION

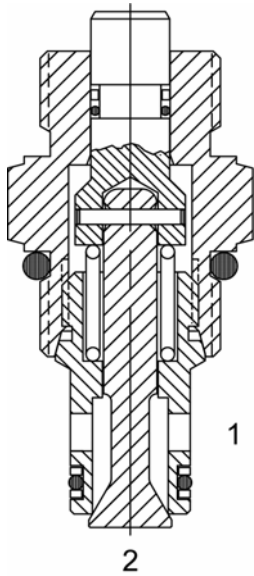
The PB-MCI blocks flow from (2) to (1) until sufficient force is applied to button to overcome spring bias and load force.

Actuation Force Required	
No Pressure:	7 lbs (3,2 Kg)
Side Pressure:	7 lbs + (P1 (psi)x .009)
Nose Pressure:	7 lbs + (P2 (psi) x .076)

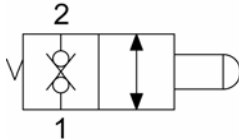
Note: (Ø.437) cavity predrill depth must be 1.312 minimum from spotface.

FEATURES

- Hardened parts for long life.
- Industry common cavity.

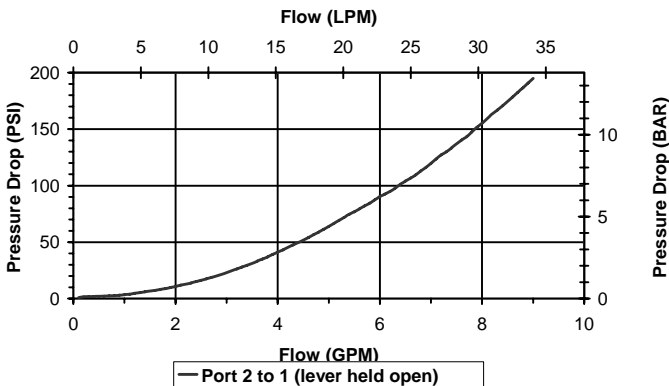


HYDRAULIC SYMBOL



PERFORMANCE

Actual Test Data (Cartridge Only)

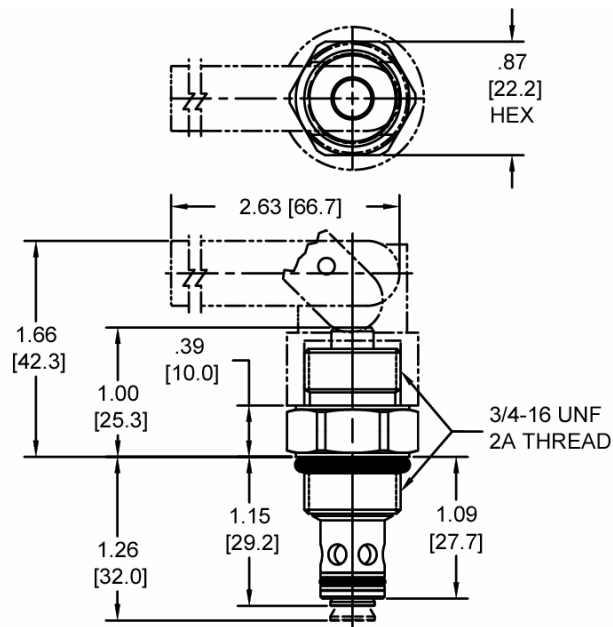


VALVE SPECIFICATIONS

Nominal Flow	8 GPM (30 LPM)
Rated Operating Pressure	3500 PSI (241 bar)
Typical Internal Leakage (150 SSU)	Consult Factory
Viscosity Range	36 to 3000 SSU (3 to 647 cSt)
Filtration	ISO 18/16/13
Media Operating Temperature Range	-40° to 250° F (-40° to 120° C)
Weight	.26 lbs. (.12 kg)
Operating Fluid Media	General Purpose Hydraulic Fluid
Cartridge Torque Requirements	25 ft-lbs (34 Nm)
Cavity	POWER 2W
Cavity Tools kit (form tool, reamer, tap)	40500005
Seal Kit	21191102

WARNING: The specifications/application data shown in our catalogs and data sheets is intended only as a general guide for the product described (herein). Any specific application should not be undertaken without independent study, evaluation, and testing for suitability.

DIMENSIONS



(for bodies style and sizes see section "Accessories")

ORDERING INFORMATION

PB-MCI		-	-	-
OPTIONS				BODIES
Buna Standard	00		Blank	Without Body
Viton Standard	V0		N	1/4" BSP Ports
Buna, Lever	OK		S	#6 SAE Ports
Viton, Lever	VK			
Buna, Screen	A0			
Viton, Screen	W0			

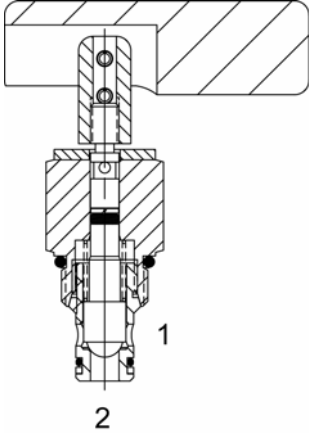
NOTE: Use screen only if flow direction is from (1) to (2).

WARNING: The specifications/application data shown in our catalogs and data sheets is intended only as a general guide for the product described (herein). Any specific application should not be undertaken without independent study, evaluation, and testing for suitability.

PB-MCL Manual Poppet Valve, 2 Way Normally Closed, Pull Type, Lever

DESCRIPTION

8 size, 3/4-16 thread, "Power" series, manual poppet , 2 way normally closed, pull type valve with lever.



OPERATION

The PB-MCL blocks flow from (1) to (2) until an operator pulls the handle upward.

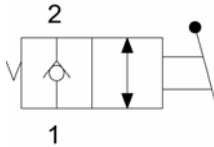
The bias spring (see option page for pressure) allows for back-pressure at (2) before the valve will open.

Note: Pressure at port (2) will directly act on the spool and spring. Port (2) is intended to be a tank port only.

FEATURES

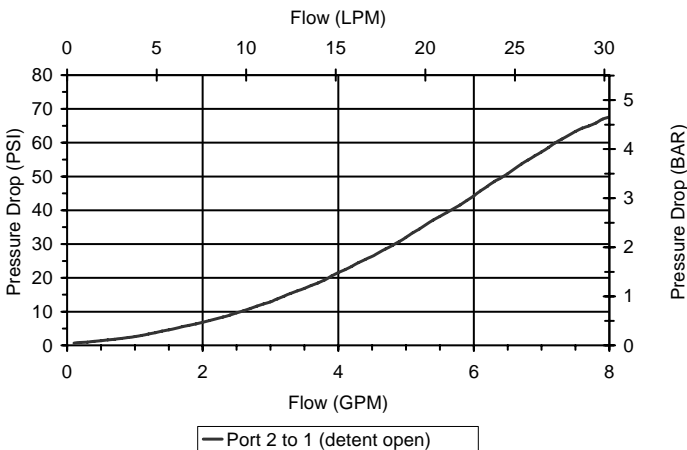
- Hardened parts for long life.
- Industry common cavity.

HYDRAULIC SYMBOL



PERFORMANCE

Actual Test Data (Cartridge Only)

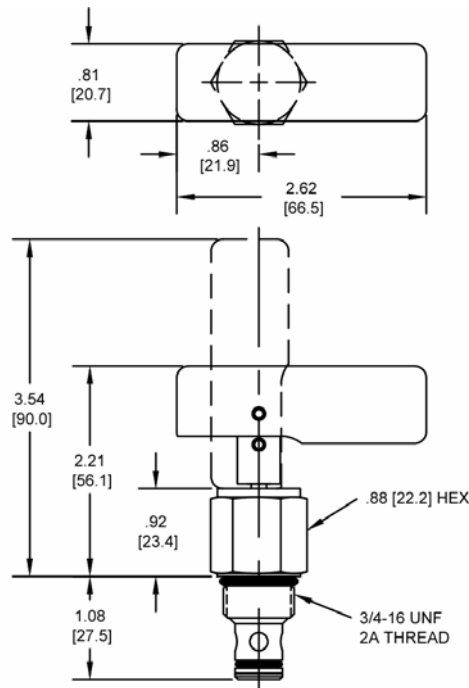


VALVE SPECIFICATIONS

Nominal Flow	8 GPM (30 LPM)
Rated Operating Pressure	3500 PSI (241 bar)
Typical Internal Leakage (150 SSU)	0-5 drops/min
Viscosity Range	36 to 3000 SSU (3 to 647 cSt)
Filtration	ISO 18/16/13
Media Operating Temperature Range	-40° to 250° F (-40° to 120° C)
Weight	.33 lbs. (.15 kg)
Operating Fluid Media	General Purpose Hydraulic Fluid
Cartridge Torque Requirements	25 ft-lbs (34 Nm)
Cavity	POWER 2W
Cavity Tools kit (form tool, reamer, tap)	40500005
Seal Kit	21191101

WARNING: The specifications/application data shown in our catalogs and data sheets is intended only as a general guide for the product described (herein). Any specific application should not be undertaken without independent study, evaluation, and testing for suitability.

DIMENSIONS



(for bodies style and sizes see section "Accessories")

ORDERING INFORMATION

PB-MCL		-	-	-	-
OPTIONS					BODIES
Buna Standard	00				Blank
Viton Standard	V0				N
Buna, Screen	A0				S
Viton, Screen	W0				Without Body
					1/4" BSP PORTS
					#6 SAE PORTS
					SPRING BIAS PRESSURE
			0075		75 PSI
			0150		150 PSI

NOTE: Use screen only if flow direction is from (1) to (2).

NOTE: Pressure above **SPRING BIAS PRESSURE** at port (2) may cause valve to self open.

WARNING: The specifications/application data shown in our catalogs and data sheets is intended only as a general guide for the product described (herein). Any specific application should not be undertaken without independent study, evaluation, and testing for suitability.

DE-MCL Normally Closed Manual, Pull Valve

DESCRIPTION

10 size, 7/8-14 thread, "Delta" series, normally closed, manual pull valve

OPERATION

The DE-MCL blocks flow from (1) to (2) until an operator pulls the shaft outward.

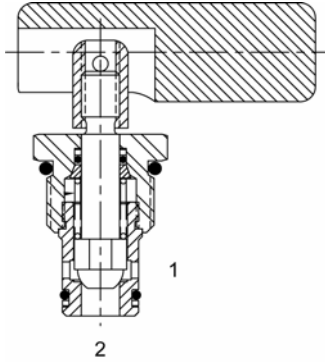
The bias spring allows for backpressure at (2) before the valve will open (See option page for pressure).

Note: Pressure at port (2) will directly act on the spool and spring. Port (2) is intended to be a tank port only.

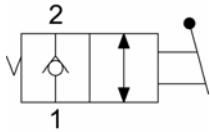
The cartridge offers smooth transition in response to load changes in common hydraulic circuits.

FEATURES

- Hardened cage for long life.
- Industry common cavity

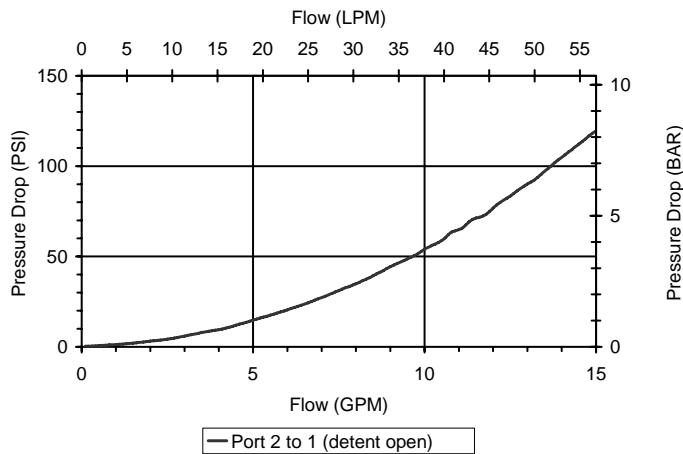


HYDRAULIC SYMBOL



PERFORMANCE

Actual Test Data (Cartridge Only)

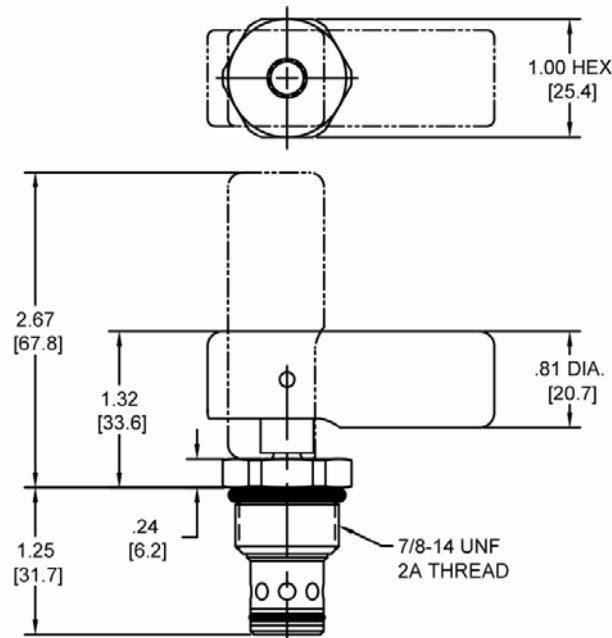


VALVE SPECIFICATIONS

Nominal Flow	15 GPM (56.8 LPM)
Rated Operating Pressure	3500 PSI (241 bar)
Typical Internal Leakage (150 SSU)	5 drops/min (82 ml/min)
Viscosity Range	36 to 3000 SSU (3 to 647 cSt)
Filtration	ISO 18/16/13
Media Operating Temperature Range	-40° to 250° F (-40° to 120° C)
Weight	.15 lbs. (.15 kg)
Operating Fluid Media	General Purpose Hydraulic Fluid
Cartridge Torque Requirements	30 ft-lbs (40.6 Nm)
Cavity	DELTA 2W
Cavity Tools kit (form tool, reamer, tap)	40500000
Seal Kit	21191201

WARNING: The specifications/application data shown in our catalogs and data sheets is intended only as a general guide for the product described (herein). Any specific application should not be undertaken without independent study, evaluation, and testing for suitability.

DIMENSIONS



(for bodies style and sizes see section "Accessories")

ORDERING INFORMATION

DE-MCL		-	-	-	-
OPTIONS					BODY
Buna Standard	00				Blank Without Body
Viton Standard	V0				N 3/8" BSP Ports
Buna, Screen	A0				S #8 SAE Ports
Viton, Screen	W0				
Buna, Knob	OK				
Viton, Knob	VK				
Buna, Knob, Screen	AK		0065		
Viton, Knob, Screen	WK		0160		
					SPRING BIAS PRESSURE
					65 PSI
					165 PSI

NOTE: Use screen only if flow direction is from (1) to (2).

NOTE: Pressure above **SPRING BIAS PRESSURE** at port (2) may cause valve to self open.

WARNING: The specifications/application data shown in our catalogs and data sheets is intended only as a general guide for the product described (herein). Any specific application should not be undertaken without independent study, evaluation, and testing for suitability.

DE-M2G Manual Rotary Spool Valve, 2 Way Normally Closed

DESCRIPTION

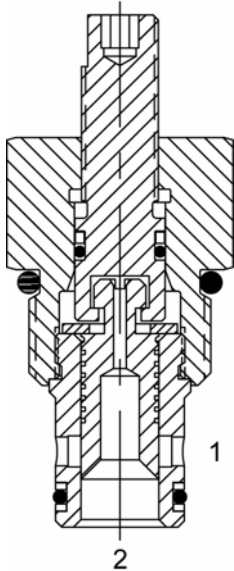
10 size, 7/8-14 thread, "Delta" series, manual rotary spool valve, 2 way normally closed.

OPERATION

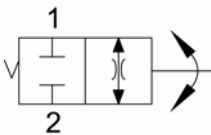
The DE-M2G when rotated clockwise (fully closed position) blocks flow from (1) to (2) and (2) to (1). When rotated counterclockwise (fully open position), the cartridge allows flow from (1) to (2) and (2) to (1).

FEATURES

- Hardened parts for long life.
- Industry common cavity.



HYDRAULIC SYMBOL

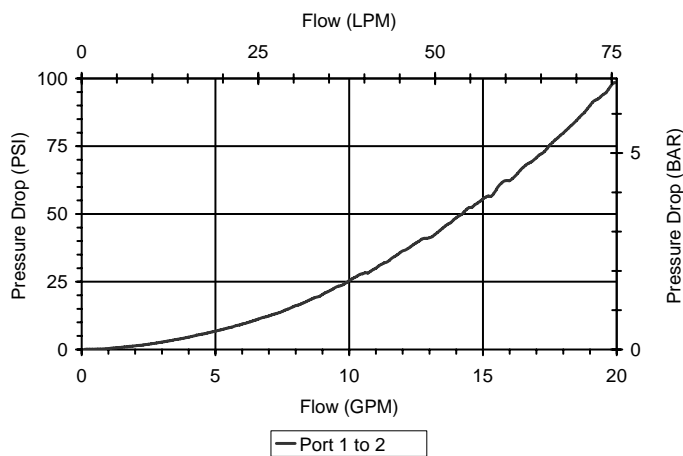


May be used as a metering product. Valve has approximately 3.5 turns of adjustment from fully open to fully closed.

See Chart for fully open pressure drop.

PERFORMANCE

Actual Test Data (Cartridge Only)

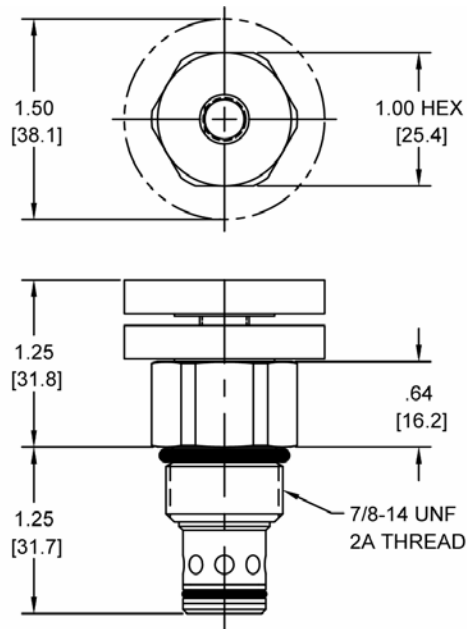


VALVE SPECIFICATIONS

Nominal Flow	20 GPM (76 LPM)
Rated Operating Pressure	3000 PSI (207 bar)
Typical Internal Leakage (150 SSU)	5 cu/in per min (82 ml/min)
Viscosity Range	36 to 3000 SSU (3 to 647 cSt)
Filtration	ISO 18/16/13
Media Operating Temperature Range	-40° to 250° F (-40° to 120° C)
Weight	.27 lbs. (.12 kg)
Operating Fluid Media	General Purpose Hydraulic Fluid
Cartridge Torque Requirements	30 ft-lbs (40.6 Nm)
Cavity	DELTA 2W
Cavity Tools kit (form tool, reamer, tap)	40500000
Seal Kit	21191202

WARNING: The specifications/application data shown in our catalogs and data sheets is intended only as a general guide for the product described (herein). Any specific application should not be undertaken without independent study, evaluation, and testing for suitability.

DIMENSIONS



(for bodies style and sizes see section "Accessories")

ORDERING INFORMATION

DE-M2G		-	-	
OPTIONS				BODIES
Buna Standard	00		Blank	Without Body
Viton Standard	V0		N	3/8" BSP Ports
Buna, Screen	A0		S	#8 SAE Ports
Viton, Screen	W0			
Buna, Knob	0K			
Viton, Knob	VK			
Buna, Knob, Screen	AK			
Viton, Knob, Screen	WK			

NOTE: Use screen only if flow direction is from (1) to (2).

WARNING: The specifications/application data shown in our catalogs and data sheets is intended only as a general guide for the product described (herein). Any specific application should not be undertaken without independent study, evaluation, and testing for suitability.

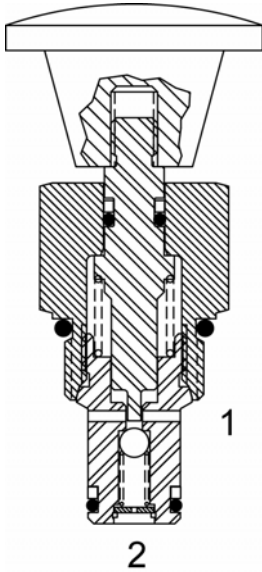
HB-MCP 2 Way Manual Valve, Normally Closed, Push Type

DESCRIPTION

8 size, 3/4-16 thread, "Power" series, manual valve, 2 way normally closed, push type.

OPERATION

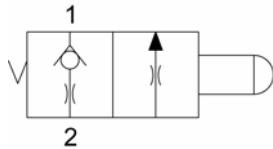
The HB-MCP blocks flow from (2) to (1) until an operator pushes the knob in allowing pressure at port #2 to drop to port #1 pressure.



FEATURES

- Hardened parts for long life.
- Industry common cavity.

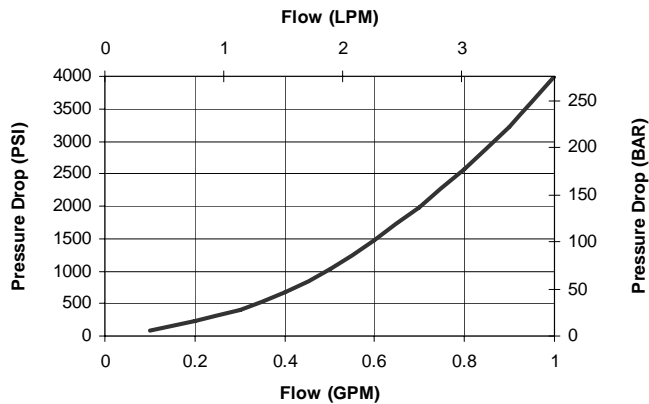
HYDRAULIC SYMBOL



Good as a pilot dump valve.
Port #1 should be limited to < 500 PSI to allow actuation (50 lbs), Port #2 actuation load at 4000 PSI (50 lbs).

PERFORMANCE

Actual Test Data (Cartridge Only)



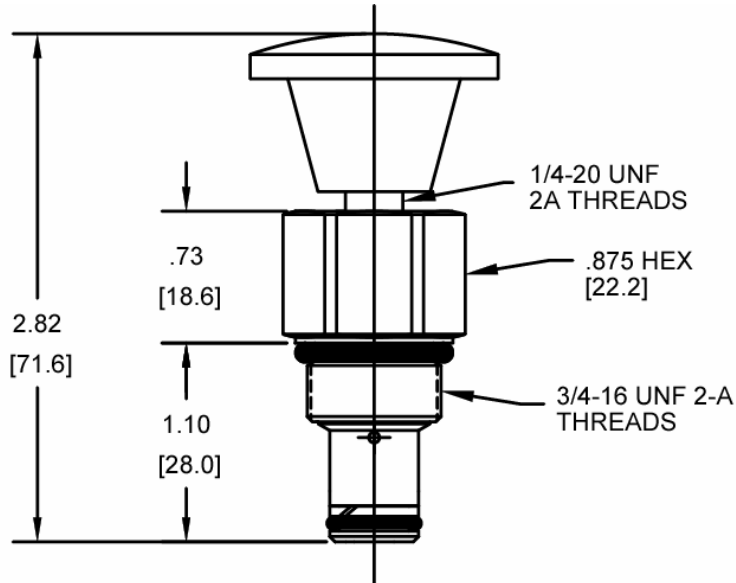
- Port 2 to 1

VALVE SPECIFICATIONS

Nominal Flow	1 GPM (4 LPM)
Max. Operating Pressure	4000 PSI (276 bar)
Typical Internal Leakage (150 SSU)	Negligible
Viscosity Range	36 to 3000 SSU (3 to 647 cSt)
Filtration	ISO 18/16/13
Media Operating Temperature Range	32° to 160° F (0° to 70° C)
Weight	.14 lbs. (.06 kg)
Operating Fluid Media	General Purpose Hydraulic Fluid
Cartridge Torque Requirements	25 ft-lbs (34 Nm)
Cavity	POWER 2W
Cavity Form Tool (Finishing)	40500005
Seal Kit	21191100

WARNING: The specifications/application data shown in our catalogs and data sheets are intended only as a general guide for the product described (herein). Any specific application should not be undertaken without independent study, evaluation, and testing for suitability.

DIMENSIONS



(for bodies style and sizes see section "Accessories")

ORDERING INFORMATION

HB-MCP		-	-	
OPTIONS				BODIES
Buna, Knob	OK		Blank	Without Body
Viton, Knob	VK		N	1/4 BSP Ports
			S	#6 SAE Ports

WARNING: The specifications/application data shown in our catalogs and data sheets are intended only as a general guide for the product described (herein). Any specific application should not be undertaken without independent study, evaluation, and testing for suitability.