

EC - MMS - 0516 - H

Machine Management System

Description

MMS (Machine management System) controller with built-in advanced safety and fault-detection features to be used as a remote de-coding card for RS485 serial line connection to other MMS electronic units.

Operation

The MMS-0516 can be provided with display and push-buttons to configure the control characteristics (I_{min}/I_{max} , ramps, deadbands, dither) of its PWM output channel.

It can be used as a stand-alone controller for applications where a single PWM channel and various on/off outputs are required or in conjunction with other MMS electronic units like Tecnard's Mod. MMS-4820

Auxiliary safety microprocessor as option.

Features

- Supply line is protected against reversed polarity and load dump.
- Inputs are protected against short circuits to GND and supply.
- Outputs are protected against short circuits, reversed polarity, over-current and over-temperature.
- 2-wires RS485 serial interface
- The current in the solenoid is independent of change in the coil resistance and in supply voltage variations.
- Especially designed for applications where high safety requirements are present.

Specifications

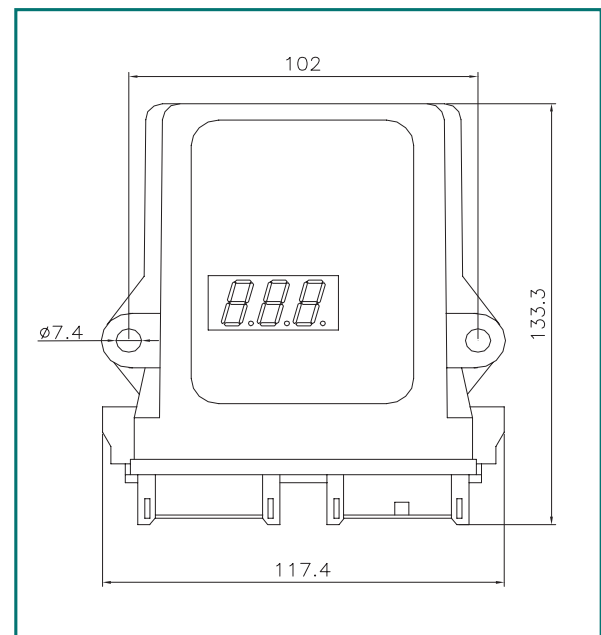
- Operating voltage: 8.5 - 30 Vdc
- Max current consumption: 0.2 A (no load applied)
- Operating temperature: -25 / +85 °C
- Degree of protection: IP65 (with housing)
- Analog inputs: 1 x 0-5 V
- Input impedance: 100 kOhm
- Typical ctrl pot resistance: 1 - 10 kOhm
- Digital inputs: 4 (2 if 16 outputs are used)
- Resolution: 10 bit
- High Side power outputs: 16 (3.5A max each)
14 (if inputs and PWM are used)
- Max current load on all outputs: 10 A
- PWM outputs channels: 1 x dual-coil prop. valves
- Current output range (PWM): 100-3000 mA

Applications

- 12 Vdc and 24 Vdc systems
- For hand held terminal cable/radio applications
- Field - adjustable applications
- Two or more MMS boards can be interconnected by means of 2-wires RS485 serial lines where rotating joints or cable reels are installed



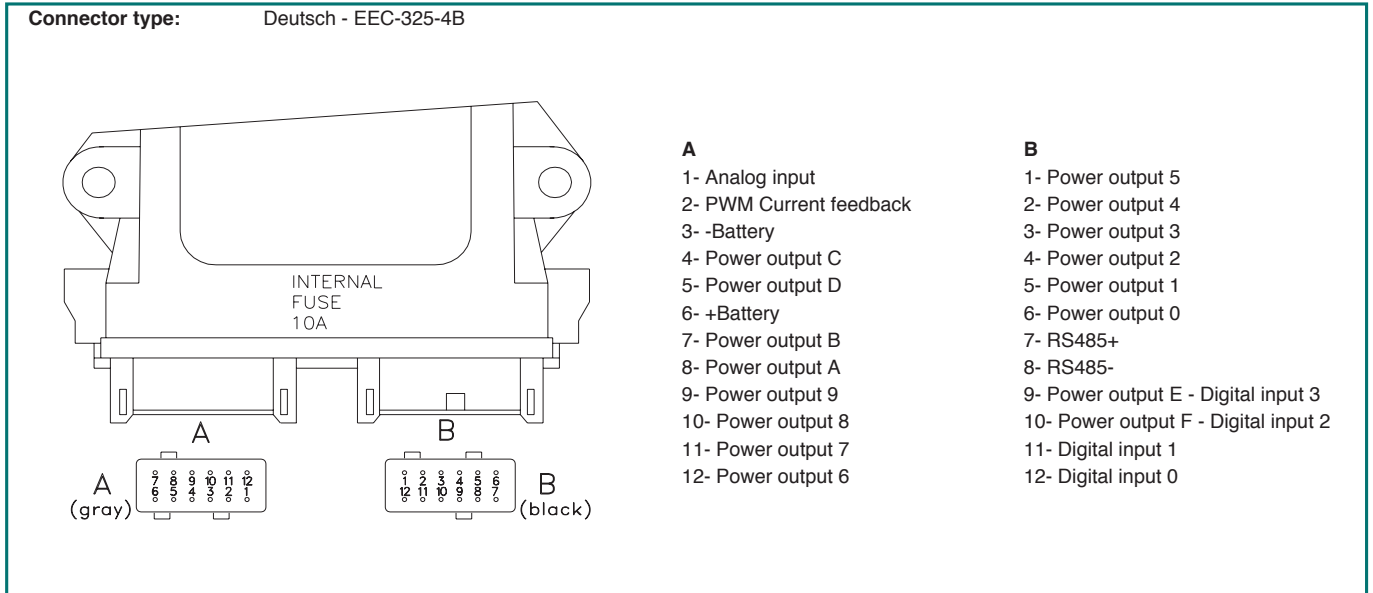
Dimensions



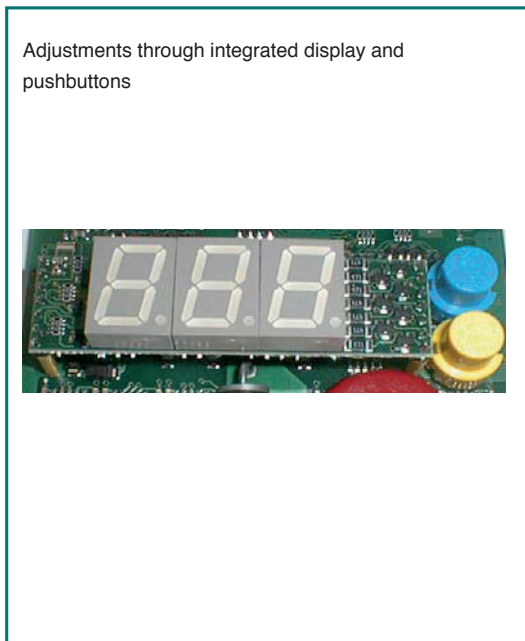
WARNING: The specifications/application data shown in our catalogs and data sheets are intended only as a general guide for the product described (herein). Any specific application should not be undertaken without independent study, evaluation, and testing for suitability.

EC - MMS - 0516 - H *Machine Management System*

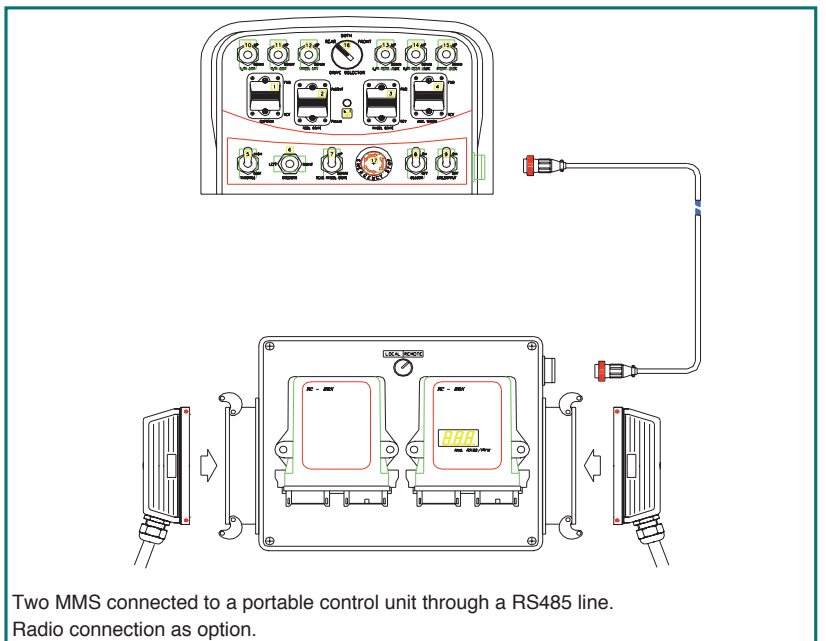
Circuit board pinout - Wiring diagram



Adjustments



Application example



Ordering Information:

EC - MMS - 0516 - H

0516 = 5 inputs - 16 outputs H = potted plastic Housing for panel mounting

WARNING: The specifications/application data shown in our catalogs and data sheets are intended only as a general guide for the product described (herein). Any specific application should not be undertaken without independent study, evaluation, and testing for suitability.