

IL - IC Grips

IL - Cylindrical Knob

Mechanical Specifications

- . Body Material: Bakelite
- . Colour: Black
- . Operating temperature range: -20 °C / + 60°C
- . Connecting hub: Female thread / M14 x1.5

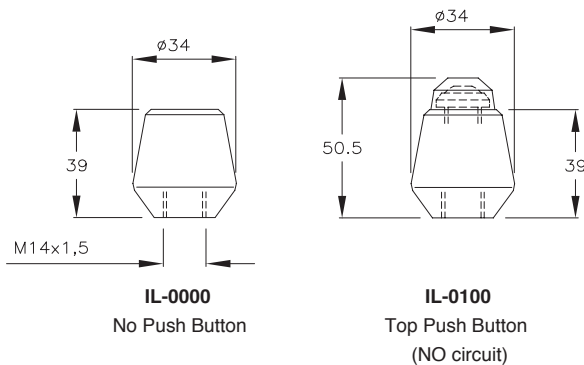
Electrical Specifications

- . Rewired exit cable: 250 mm
- . Insulating Cable Material: PVC

Top push button

- . Rated amperage: 3 A inductive
- . Life: > 100,000 cycles
- . Protection Class: IP64

Overall Dimensions



Complete Ordering Information : See Page 35

IC - Cylindrical Grip

Mechanical Specifications

- . Body Material: Nylon
- . Bottom Rubber Material : Neoprene
- . Colour: Black
- . Operating temperature range: -20 °C / + 60°C
- . Connecting hub: Female thread / M14 x1.5

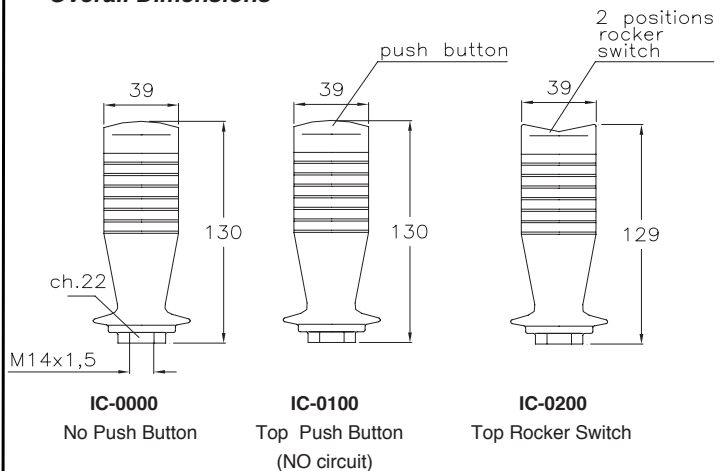
Electrical Specifications

- . Rewired exit cable: 250 mm
- . Insulating Cable Material: PVC

Push button and rocker switch

- . Contacts: Silver Plated
- . Rated amperage: 16 A / 250 VAC
3 A / 24 VDC
- . Electrical Life: > 100.000 cycles
- . Mechanical Life: > 3.000.000 cycles
- . Protection Class: IP54

Overall Dimensions



Complete Ordering Information : See page 35

WARNING: The specifications/application data shown in our catalogs and data sheets are intended only as a general guide for the product described (herein). Any specific application should not be undertaken without independent study, evaluation, and testing for suitability.