

FTC L1S

Fingertip Proportional Control Lever

Features

- . Single Axis / Uni-directional
- . 3-Pins Rotary Potentiometer
- . Optional Enable Switch

Mechanical Specifications

- . Lever deflection angle: 50° +/- 1°
- . Electrical angle: 50° +/- 1°
- . Operating temperature range: -25°C / + 80°C
- . Protection class: IP 65 (above panel)
- . Life: 3 million cycles

Electrical Specifications

3-pins rotary potentiometer

- . Electrical power rating: 0.25 W @ 25°C
- . Ohmic resistance: / A=50% of Vin 1 kOhm +/- 20%
/ D=90% of Vin 5 kOhm +/-20%
- . Max. operating input voltage (Vin): 48 V or +/-24V
- . Min. load impedance on pin 2 (Signal) 50 kOhm
- . Max. operating current on pin 2 1 mA
- . Output voltage See GRAPH 1
- . Linearity (resistive track) 2% or better
- . Connection type: 0 = solder type (no connector)
1= AMP Modu I/ 4 poles connector (mating connector kit included)

Neutral Position Switch (electromechanical type)

- . Contacts Silver Plated (solder type)
- . Max. operating input voltage 48 V or +/-24V
- . Max. operating current 1.5 A/inductive
- . Neutral position switch threshold angle: +4°
- . Protection class: IP55 (IP67 available on request)

Potentiometer & Switches Options

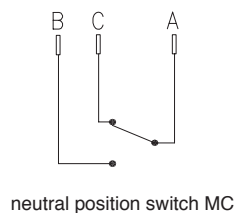
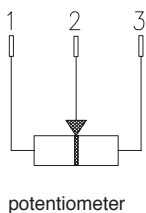
Output signal

3-pin Pot

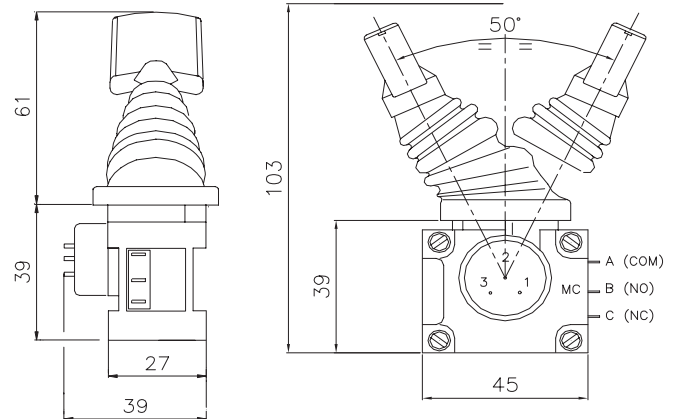
3-pin Pot & Enable Switch

Reference codes	
S=50% Vin	S=90% Vin
A (Std)	D
B	E

Electrical Connections

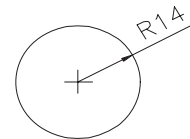


Overall Dimensions

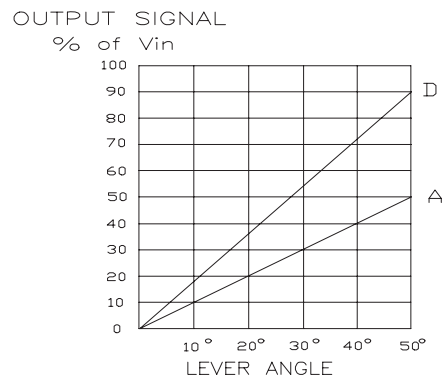


* Shown with paddle type grip. Small cylindrical grip KC type also available, with optional dead man push button

Panel Cut-Out



Output Signal Control Characteristic



Ordering Information: see page 4

WARNING: The specifications/application data shown in our catalogs and data sheets are intended only as a general guide for the product described (herein). Any specific application should not be undertaken without independent study, evaluation, and testing for suitability.

FTC L2S

Fingertip Proportional Control Lever

Features

- . Single Axis / Bi-Directional
- . 4-Pins Rotary Potentiometer
- . Optional Center/Power-off or Bi-Directional Switches

Mechanical Specifications

- . Lever deflection angle: $\pm 25^\circ \pm 1^\circ$
- . Electrical angle: $\pm 25^\circ \pm 1^\circ$
- . Operating temperature range: $-25^\circ\text{C} / + 80^\circ\text{C}$
- . Protection class: IP 65 (above panel)
- . Life: 3 million cycles

Electrical Specifications

3-pins rotary potentiometer

- . Electrical power rating: 0.25 W @ 25°C
- . Ohmic resistance: / G=40% of V_{in}
/ L=100% of V_{in}
1 kOhm $\pm 20\%$
5 kOhm $\pm 20\%$
- . Max. operating input voltage (V_{in}): 48 V or $\pm 24\text{V}$
- . Min. load impedance on pin 2 (Signal): 50 kOhm
- . Max. operating current on pin 2: 1 mA
- . Output voltage: See graph
- . Linearity (resistive track): 2% or better
- . Connection type: 0 = solder type (no connector)
1= AMP Modu I/ 4 poles connector (mating connector kit included)

Center / Bi-Directional Switches (electromechanical type)

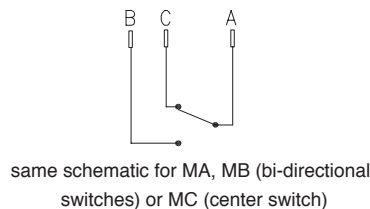
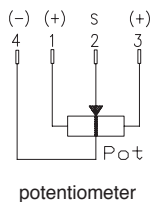
- . Contacts: Silver Plated (solder type)
- . Max. operating input voltage: 48 V or $\pm 24\text{V}$
- . Max. operating current: 1.5 A/inductive
- . Neutral position switch threshold angle: $+4^\circ$
- . Protection class: IP55 (IP67 available on request)

Potentiometer & Switches Options

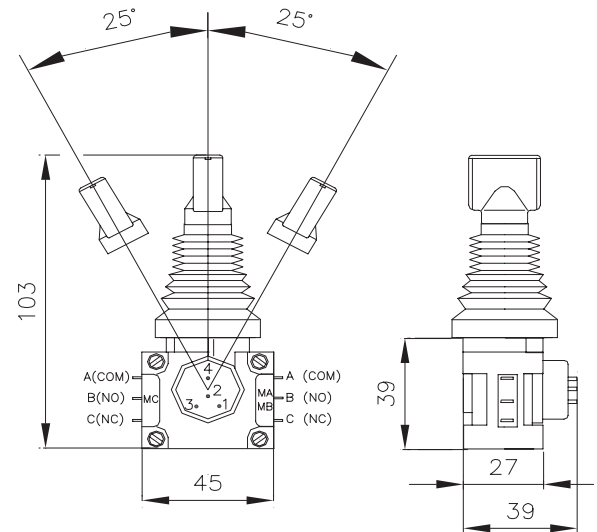
Output signal	S=40% V_{in}	S=100% V_{in}
4-pin Potentiometer	G	L
4-pin Pot. & Center Switch	H	M
4-pin Pot. & Bi-Dir. Switches	I	N (std)
4-pin Pot. & Bi-Dir. Switches & Center Switch	none	X

Reference codes	
S=40% V_{in}	S=100% V_{in}
G	L
H	M
I	N (std)
none	X

Electrical Connections

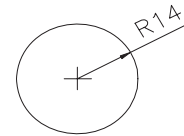


Overall Dimensions

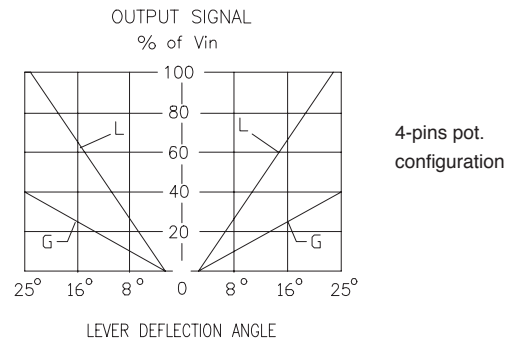


* Shown with paddle type grip. Small cylindrical grip KC type also available, with optional dead man push button

Panel Cut-Out



Output Signal Control Characteristic



Ordering Information: see page 4

WARNING: The specifications/application data shown in our catalogs and data sheets are intended only as a general guide for the product described (herein). Any specific application should not be undertaken without independent study, evaluation, and testing for suitability.